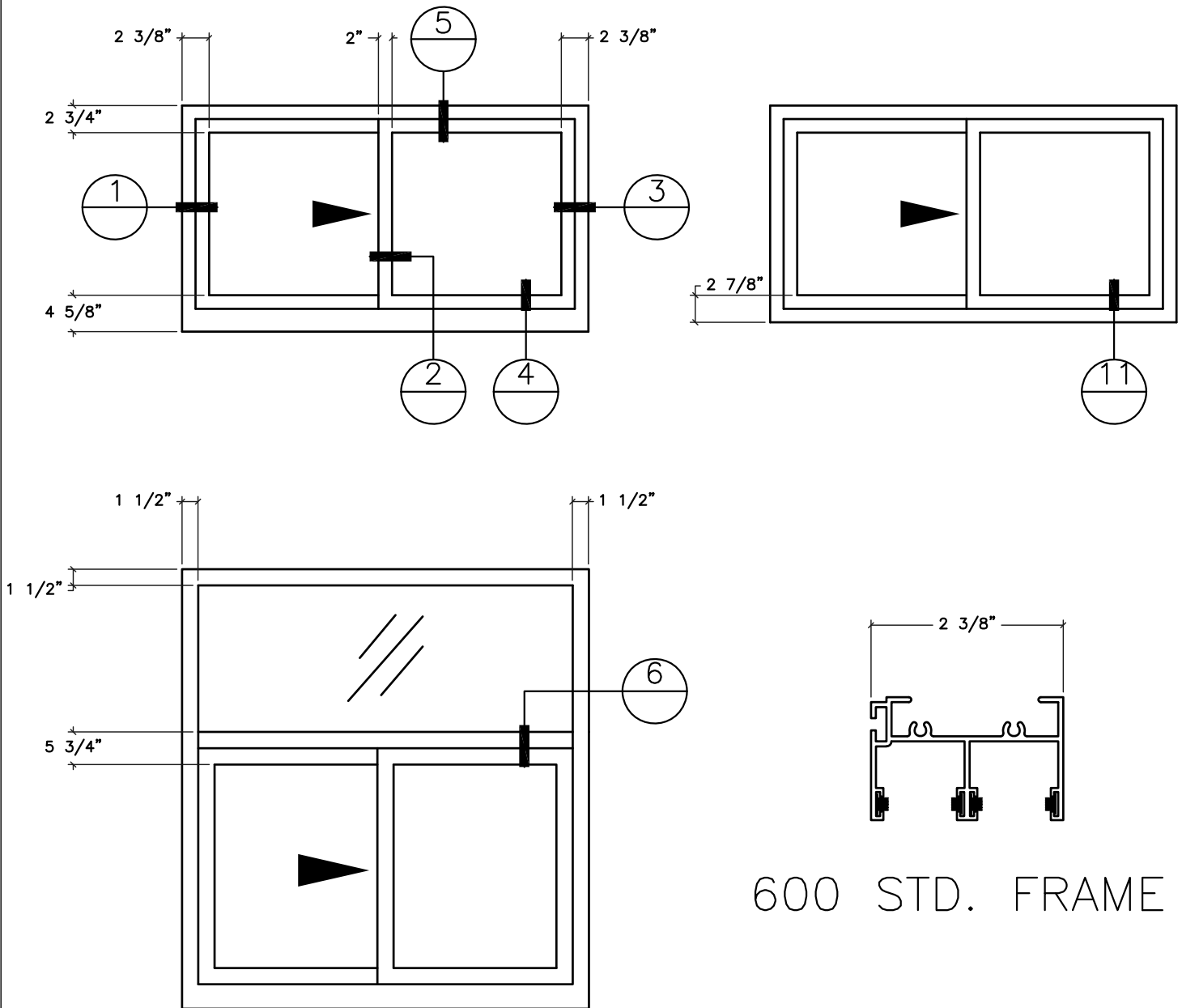
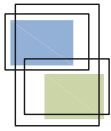


640 SERIES NON THERMAL HORIZONTAL SLIDING

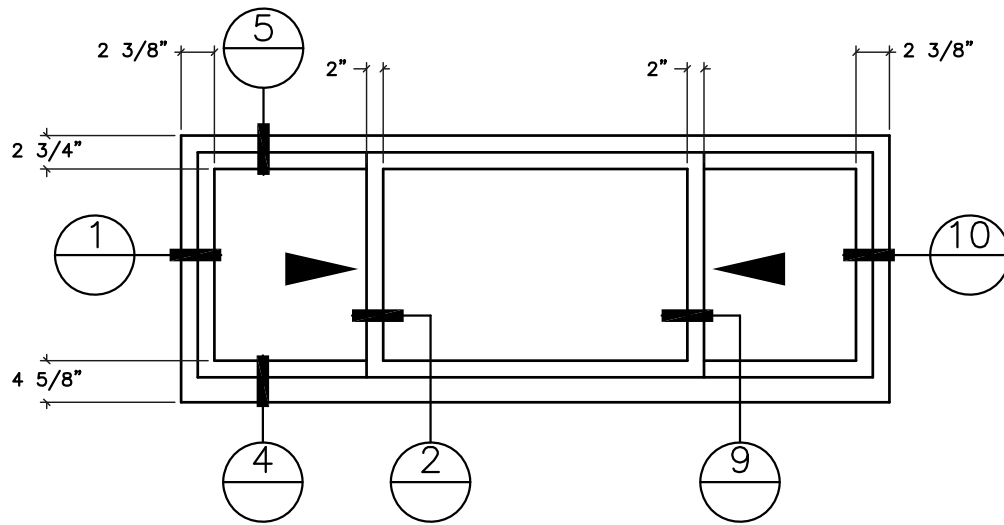


600 STD. FRAME

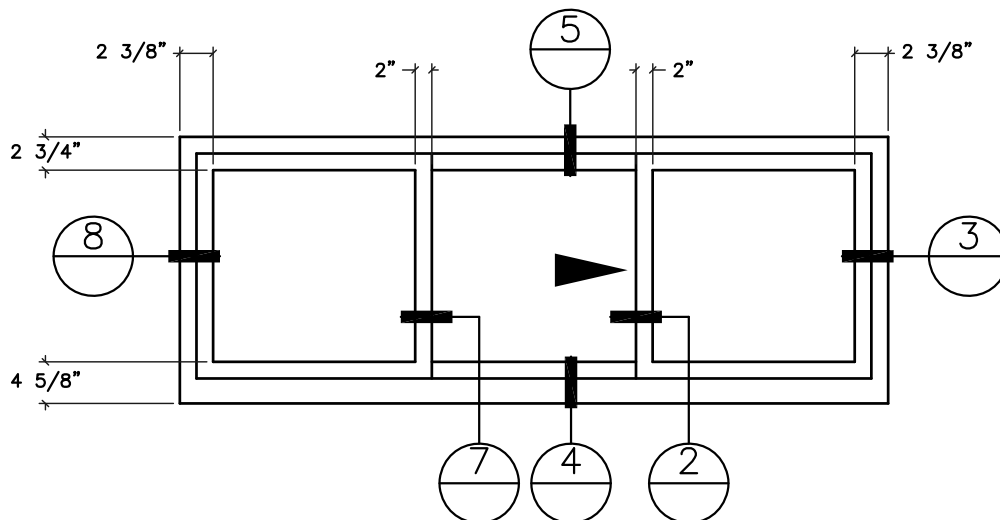


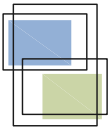
**640 SERIES
NON THERMAL
HORIZONTAL SLIDING**

SIDE SLIDE

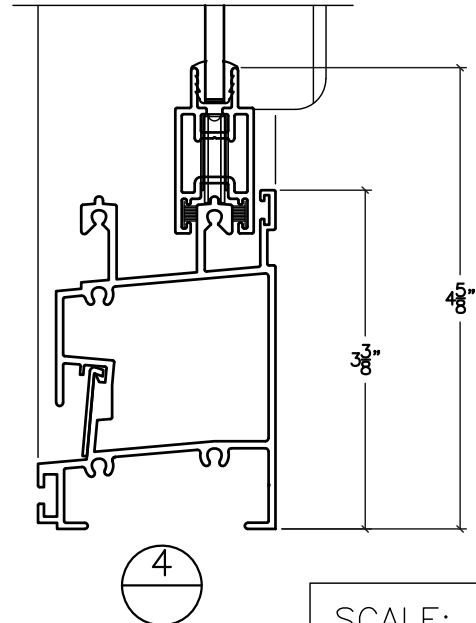
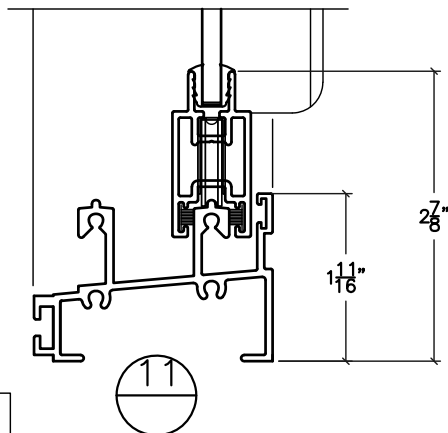
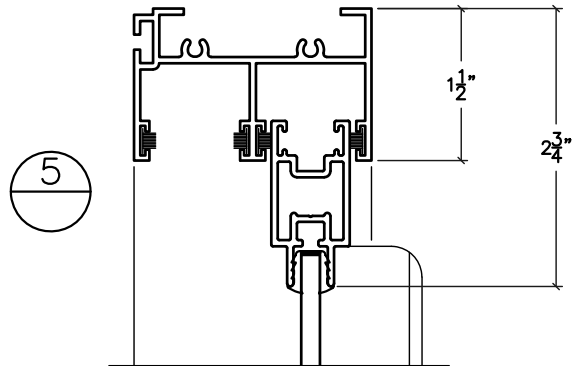
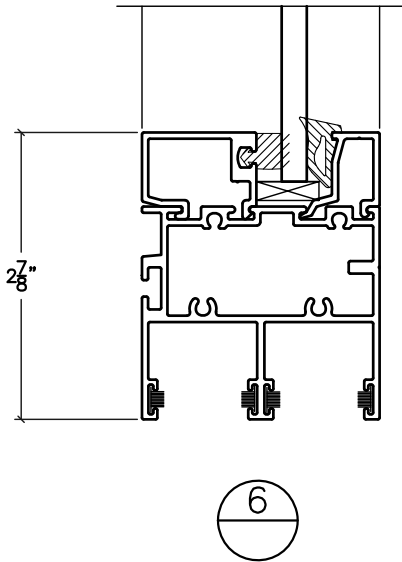
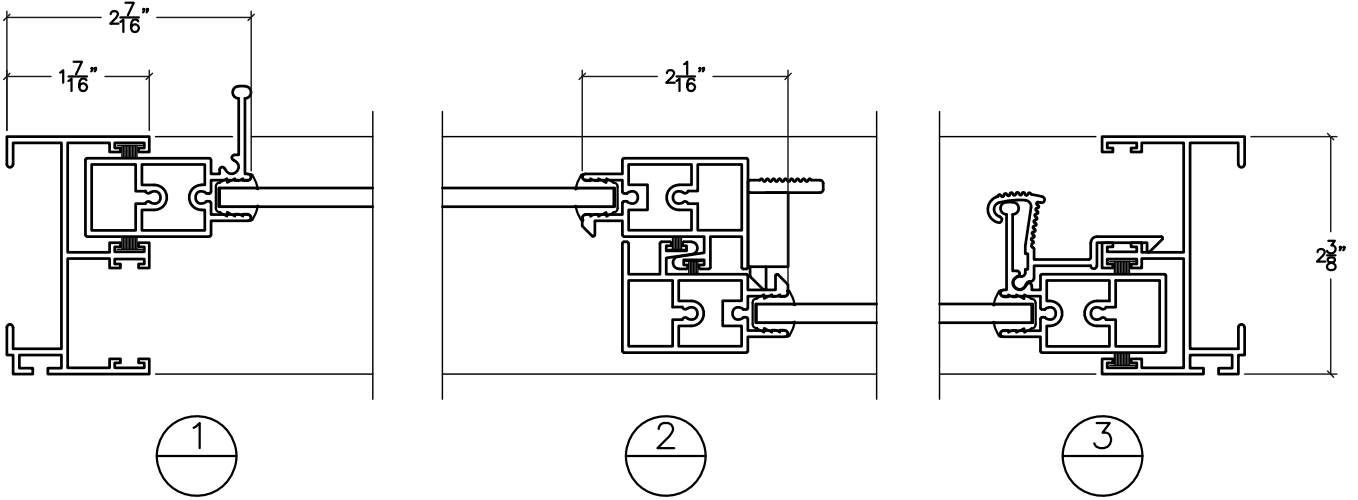


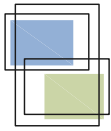
CENTER SLIDE



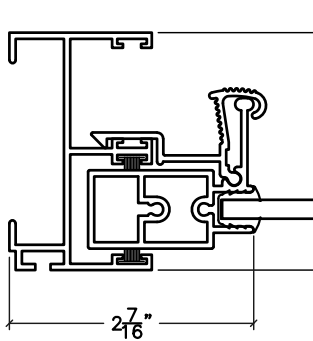


640 SERIES NON THERMAL HORIZONTAL SLIDING

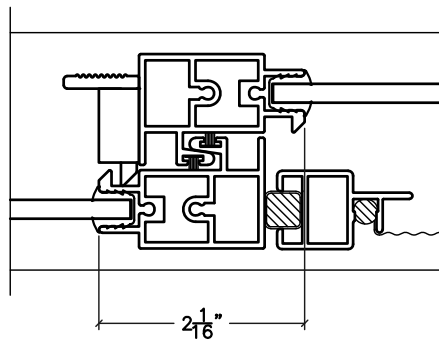




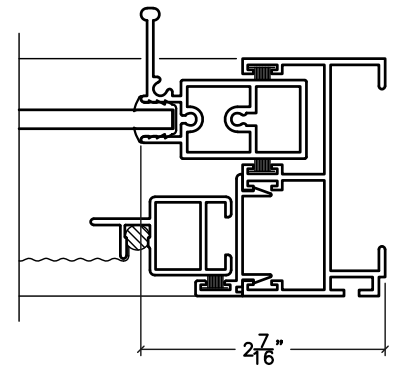
**640 SERIES
NON THERMAL
HORIZONTAL SLIDING**



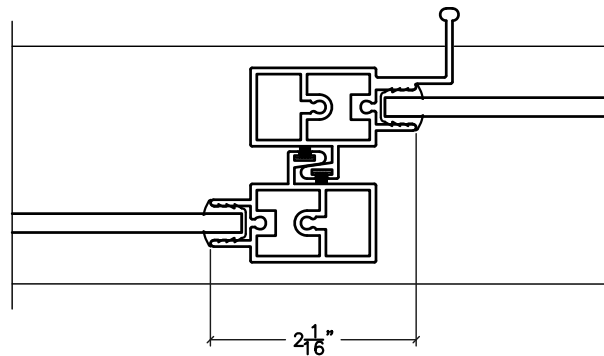
8



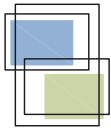
9



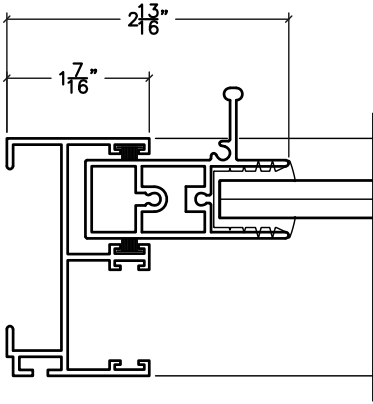
10



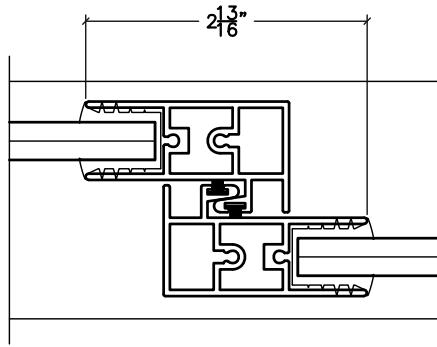
7



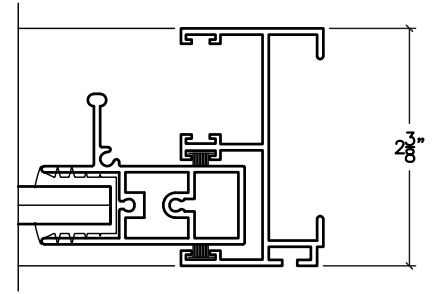
640 SERIES NON THERMAL HORIZONTAL SLIDING



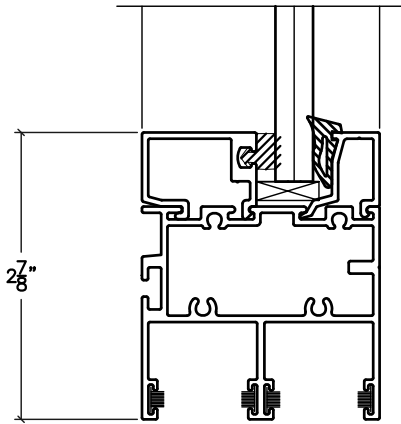
1



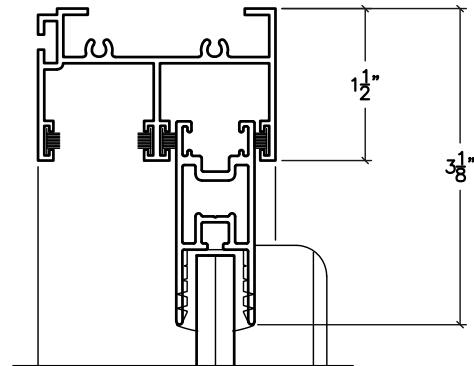
2



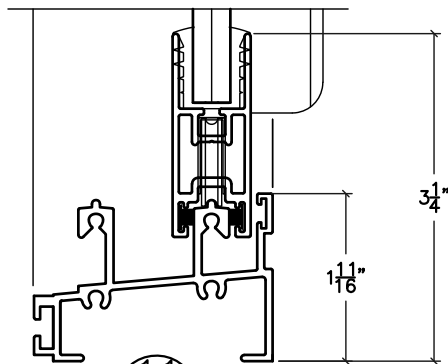
3



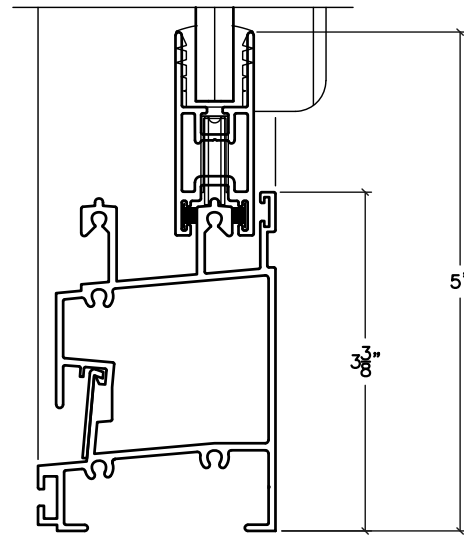
6



5



11



4