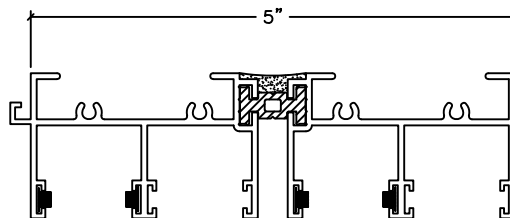
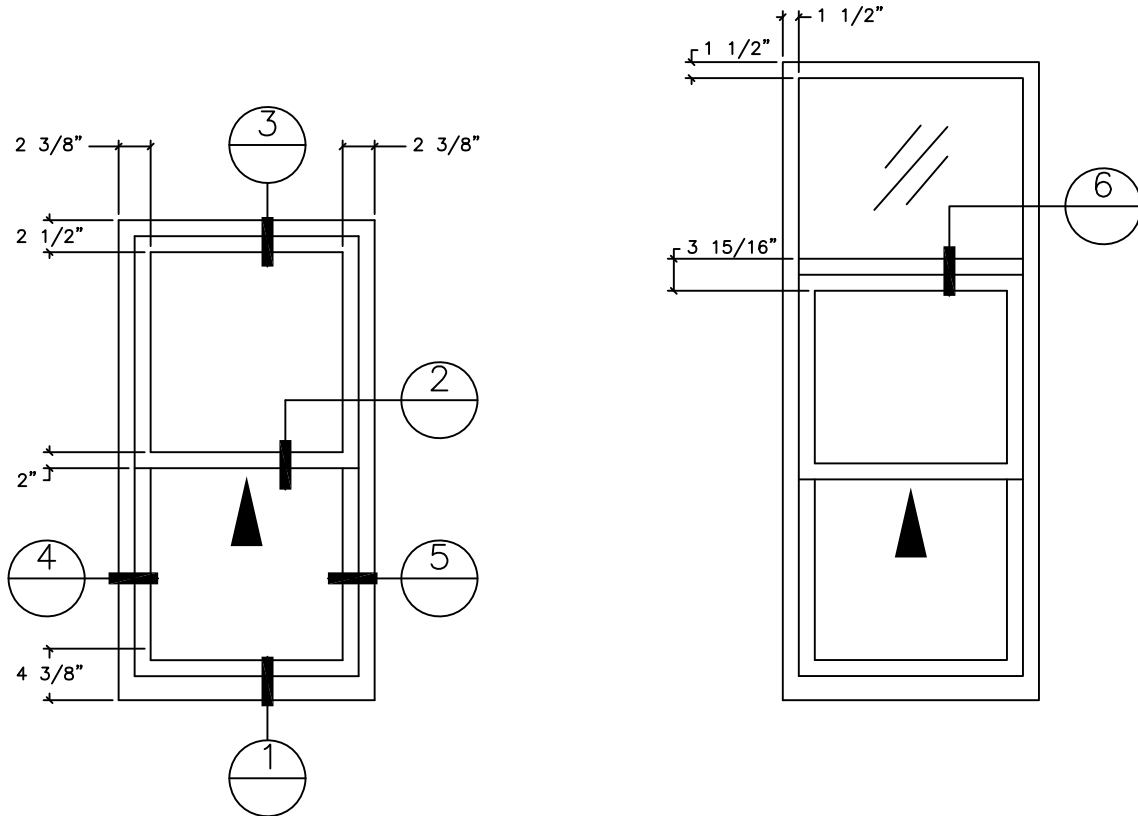
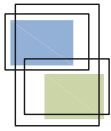


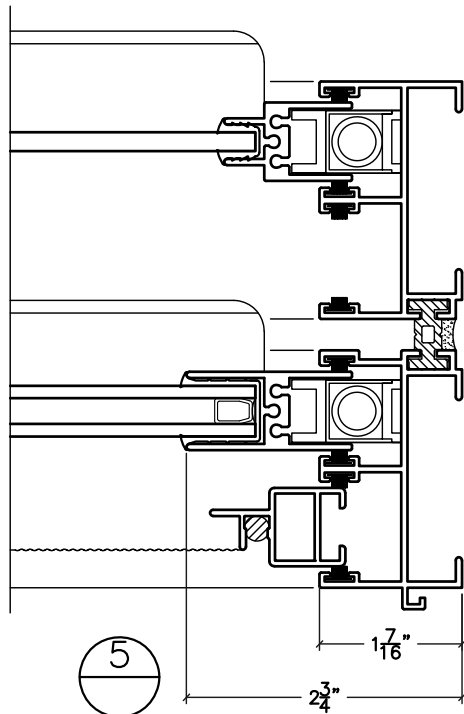
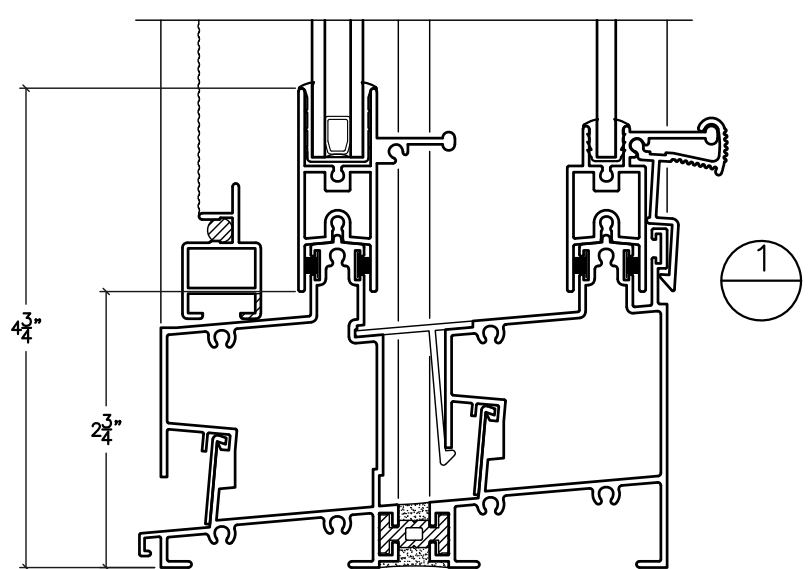
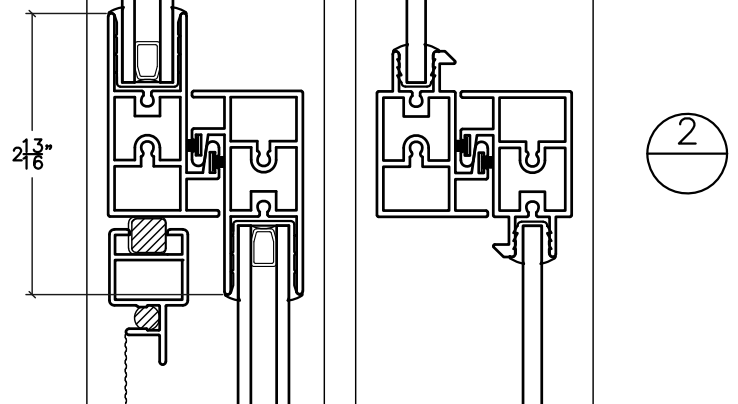
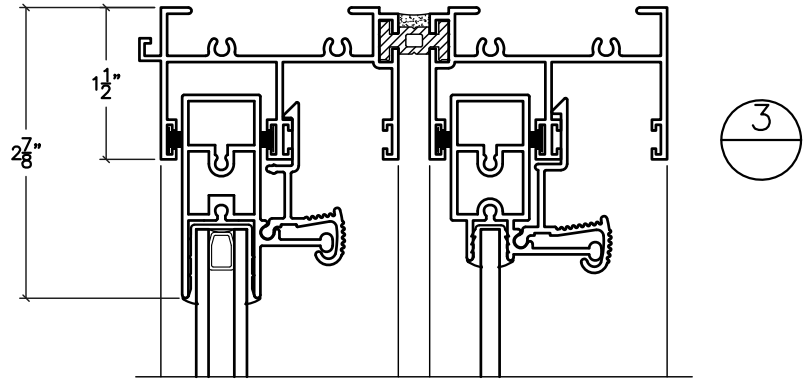
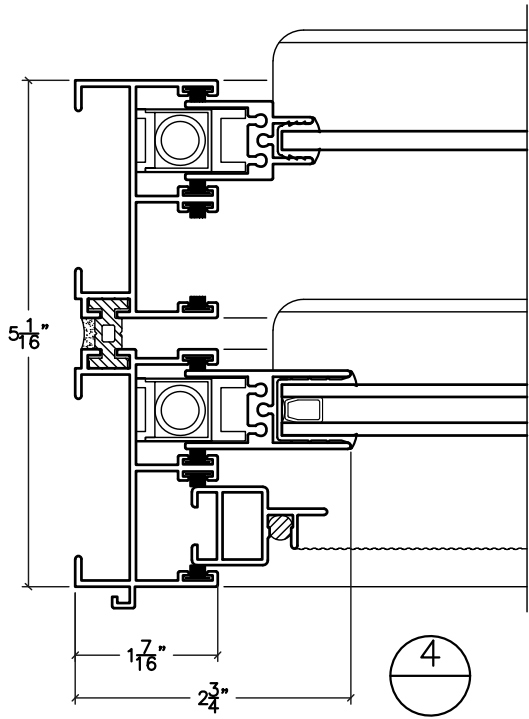
920 SERIES VERTICAL SLIDING

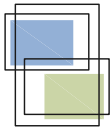


900 STD. FRAME

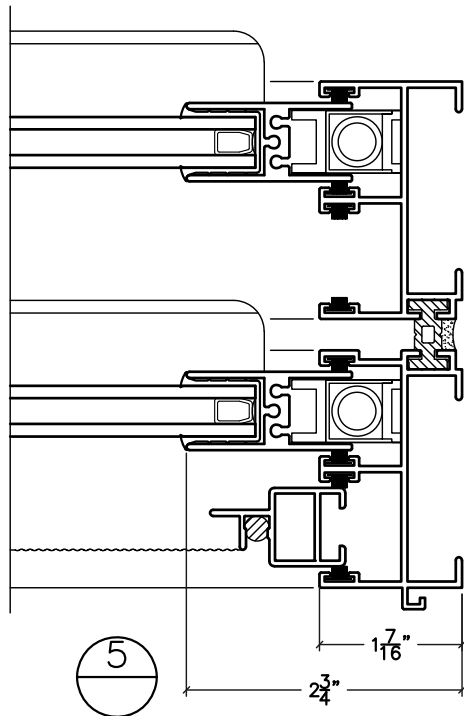
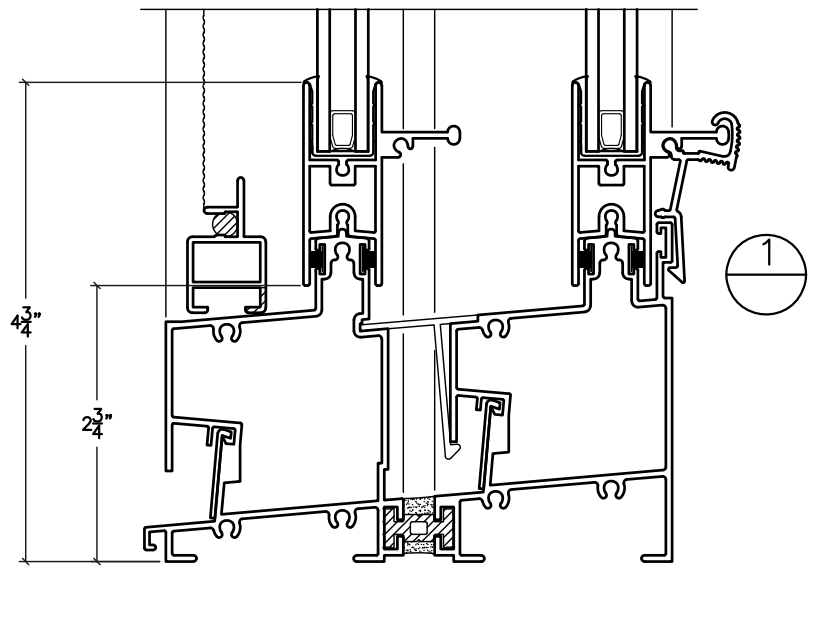
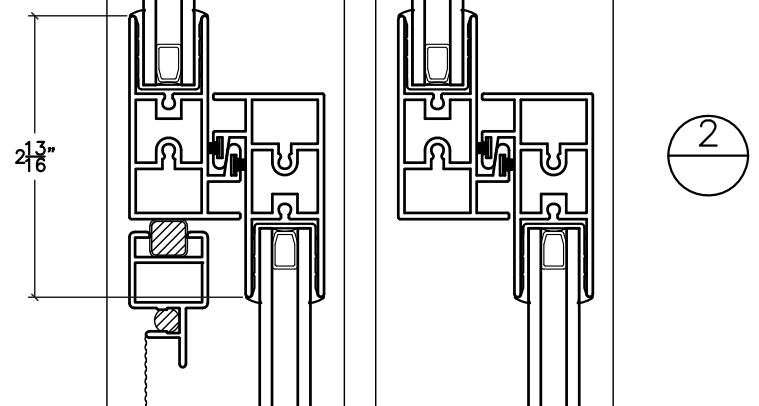
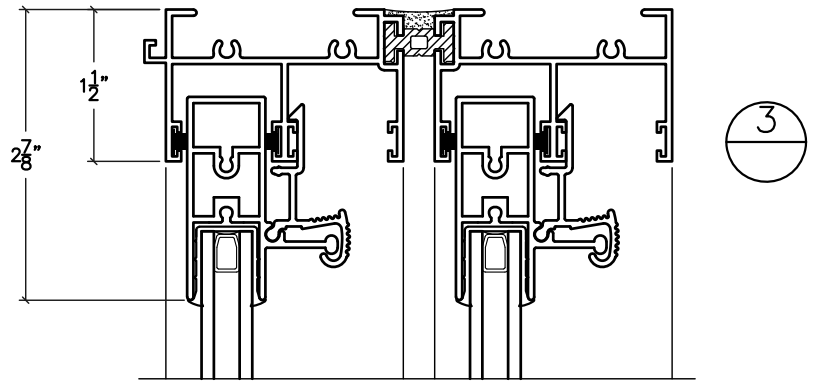
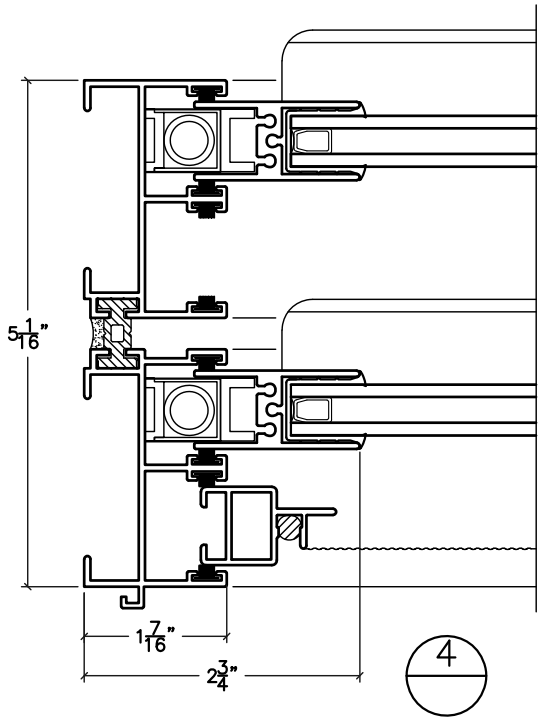


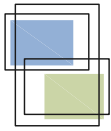
920 SERIES VERTICAL SLIDING



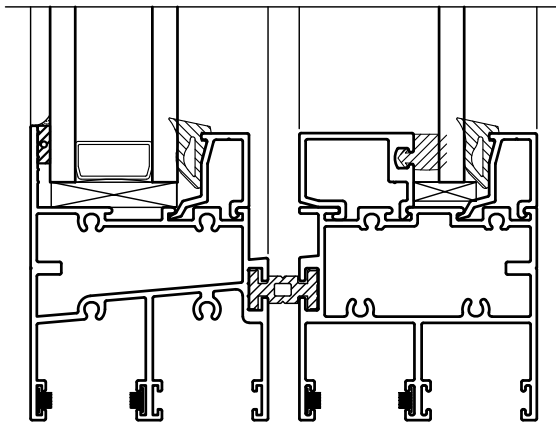


920 SERIES VERTICAL SLIDING

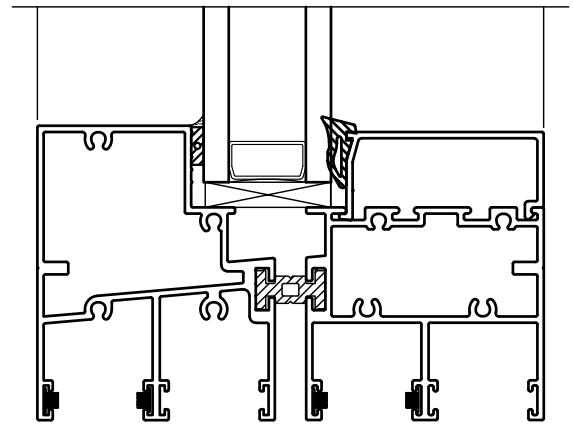




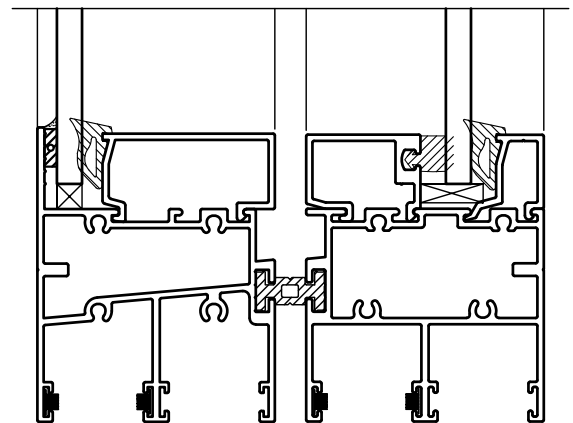
**920 SERIES
FIXED/VERTICAL
SLIDING**



TRIPLE GLAZE



1-1/4" INSULATING GLASS



MONOLITHIC GLASS
* FOR INTERIOR APPLICATIONS ONLY *

