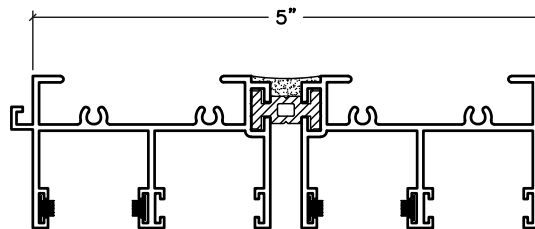
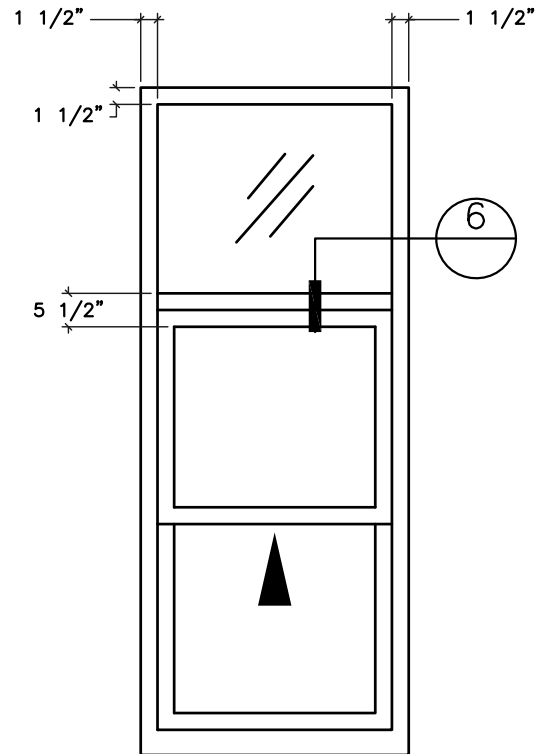
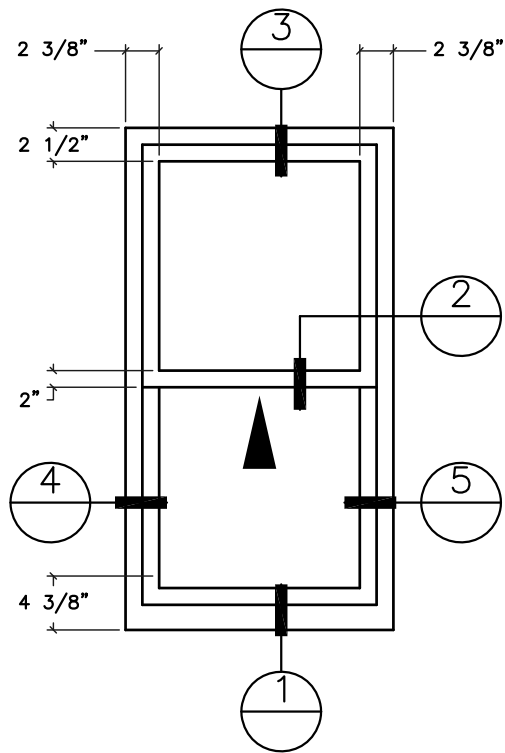
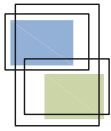


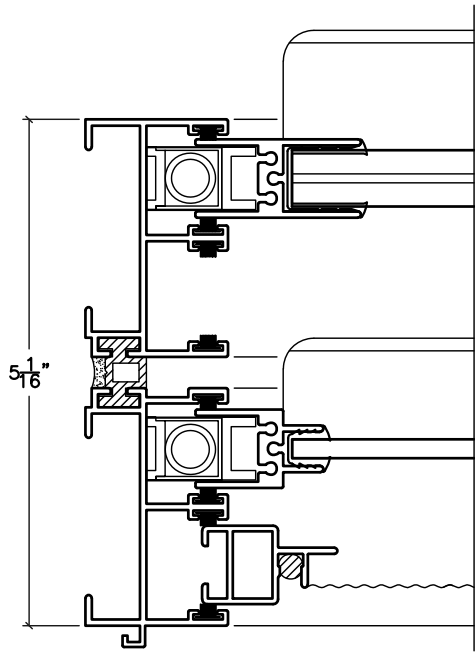
### 920i SERIES VERTICAL SLIDING (IMPACT)



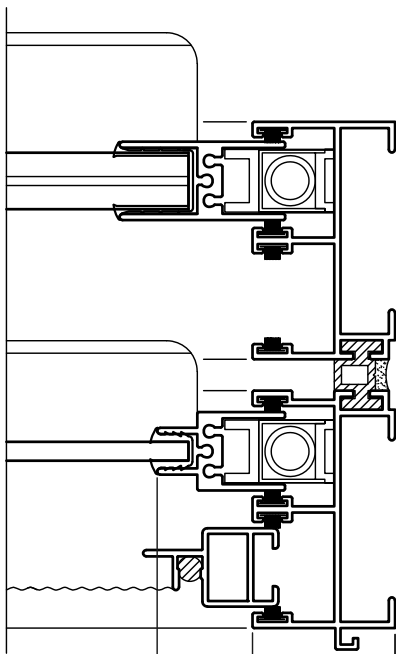
900 STD. FRAME



**920i SERIES  
VERTICAL SLIDING  
(IMPACT)**

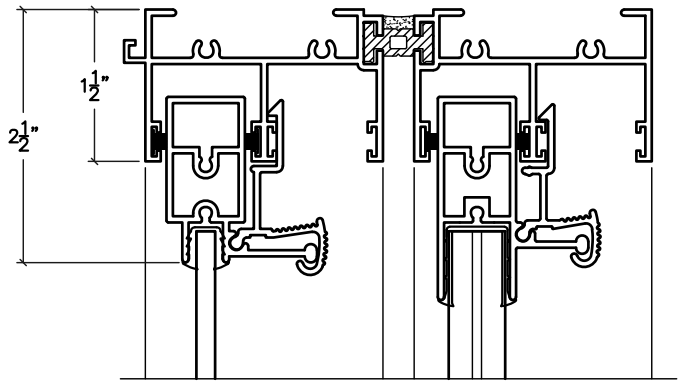


4

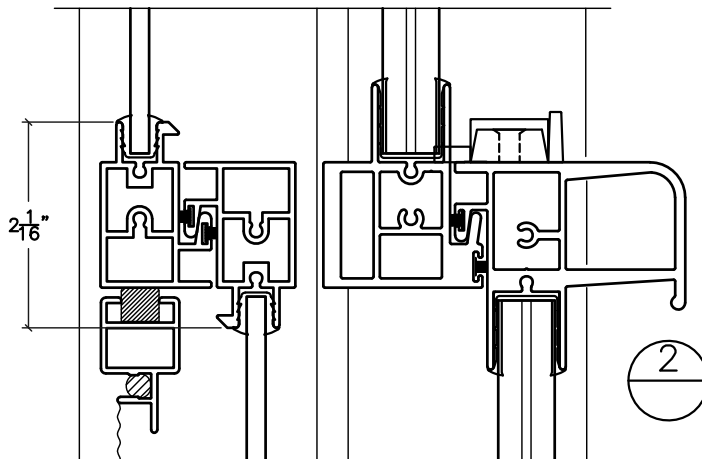


5

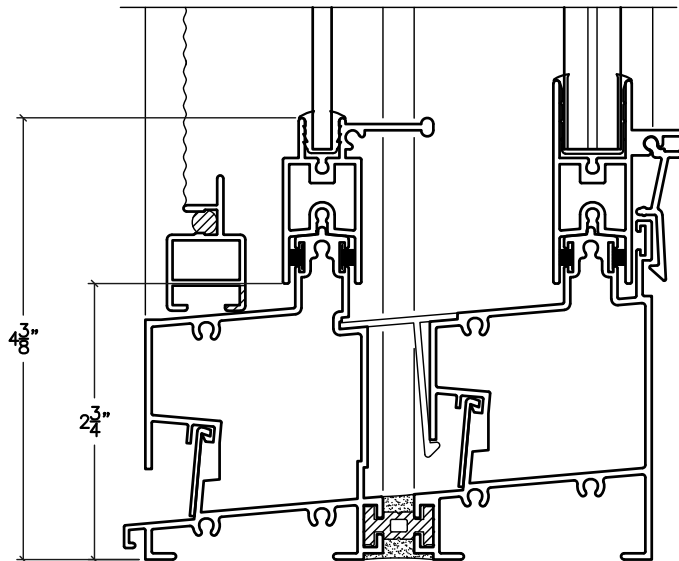
2  $\frac{3}{8}$ "



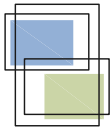
3



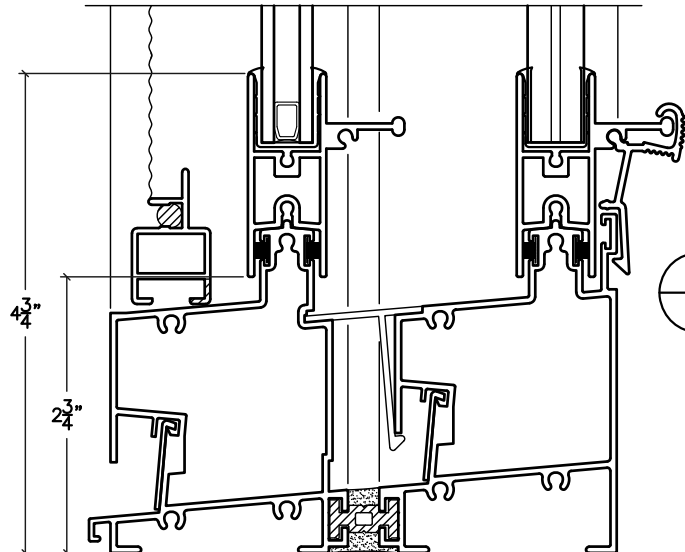
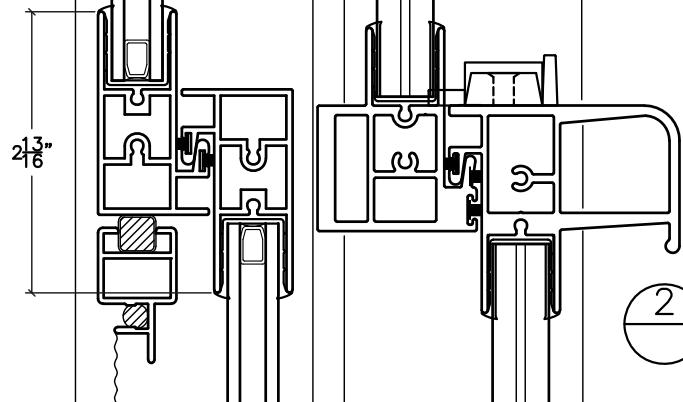
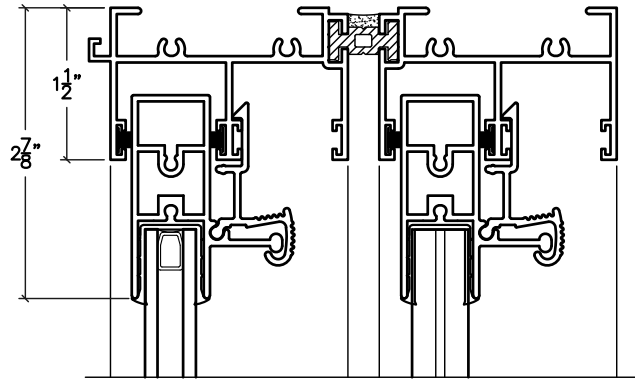
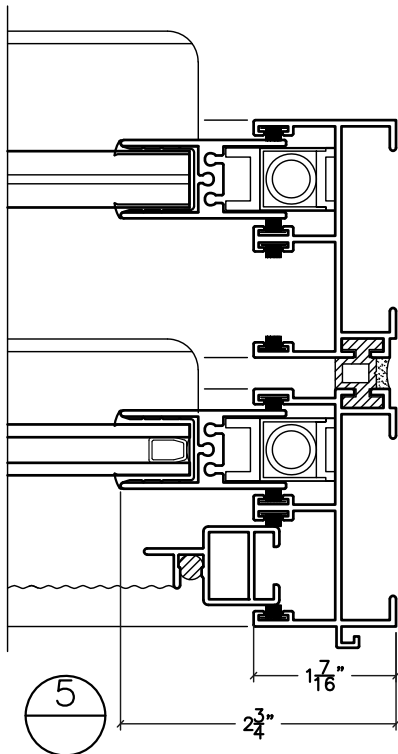
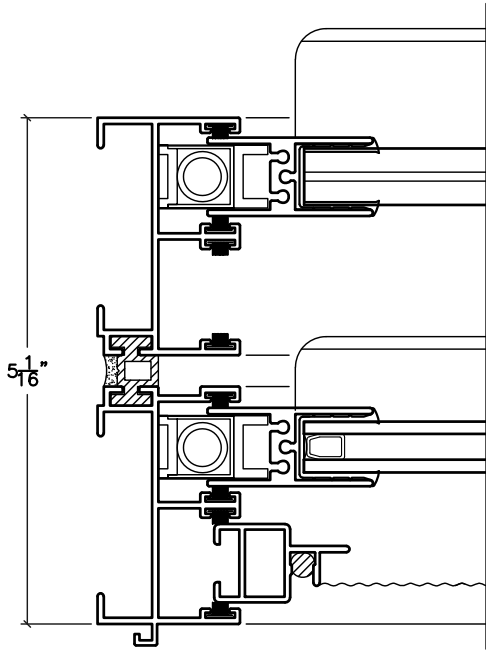
2

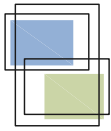


1



### 920i SERIES VERTICAL SLIDING (IMPACT)





**920i SERIES  
VERTICAL SLIDING  
(IMPACT)**

