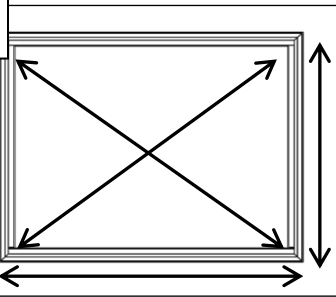
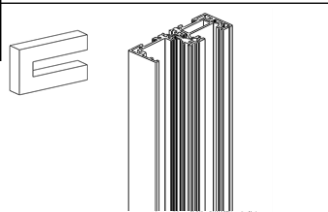
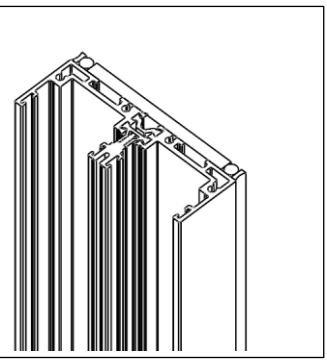
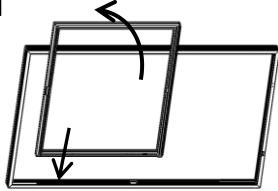
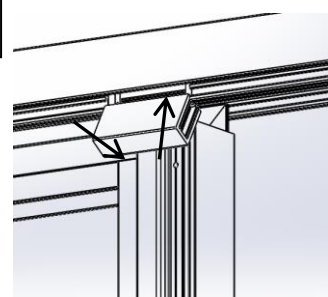
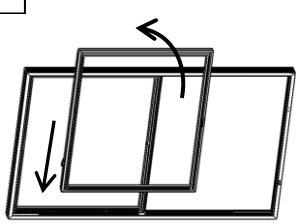


INSTALLATION INSTRUCTIONS: 4040 SLIDING WINDOW

<p>1</p>  <p>INSTALL WINDOW</p> <ol style="list-style-type: none"> 1. Coordinate location of products based on Approved Shop Drawings and window labels. 2. Verify sizes by measuring overall frame width and overall frame height. 3. Center frame in opening & set window on all shims. 	<p>2</p>  <p>INSTALL FRAME</p> <ol style="list-style-type: none"> 4. Shim accordingly 5. Starting with bottom install holes <u>on jamba</u>s, anchor window into place. Working the frame, checking with a level. 6. Inspect and verify: <ul style="list-style-type: none"> o Frame is plumb and level. o Frame is square. o Jamba, head and sill are parallel o Check for bowing. 	<p>3</p>  <ol style="list-style-type: none"> 7. Insulate all voids. Insulation must not exceed thermal barrier. 8. Slide backer rod into shim space. 9. Seal exterior of frame with approved silicone. 10. Clean excess sealant. 11. Verify there are no gaps in sealant around frame perimeter.
---	---	---

<p>4</p>  <p>INSERT UPPER SASH</p> <ol style="list-style-type: none"> 12. Clean glass of any debris with alcohol. 13. Check glass for any defects. 14. Insert sill side first into channel, and then rotate head side of sash into frame. 	<p>5</p>  <p>INSERT DUST PLUG</p> <ol style="list-style-type: none"> 15. Line dust plug up with break in parting stop. 16. Carefully push the dust plug in at an angle. 17. Once past edge on sash the dust plug should be securely in place. 	<p>6</p>  <ol style="list-style-type: none"> 18. Clean sash, glass, and check for any debris or defects. 19. Insert sill side first into channel, and then rotate head side of sash into frame.
--	--	--

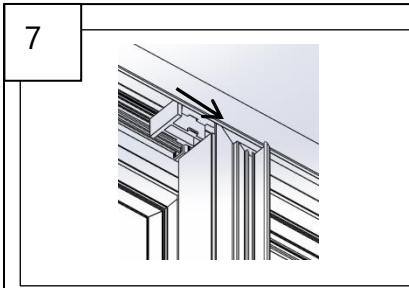
WARNING

Inspect window before installing. If any damage has occurred, contact St. Cloud Window.

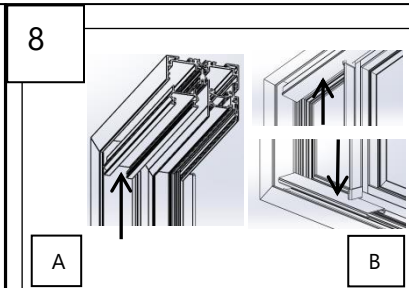


st. cloud window
 390 Industrial Blvd.
 Sauk Rapids, MN 56379
 (320) 251-9311 (800) 383-9311

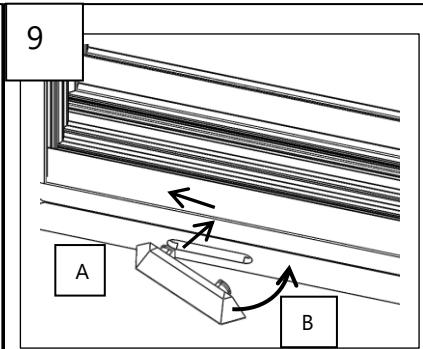
INSTALLATION INSTRUCTIONS: 4040 SLIDING WINDOW



20. Insert two total sash guides.
21. Both sash get guides on at the head of each sash.
22. Ensure sash guide fit is tight
23. Check function of sash with newly inserted sash guides.

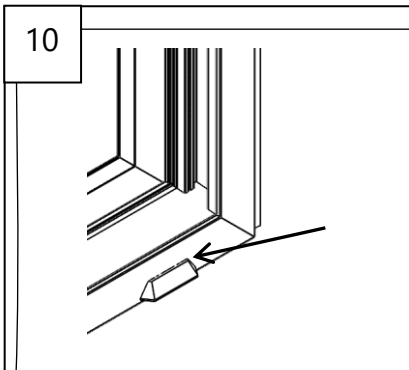


24. Fig A. Place screen retainer in exterior head, and using a mallet pound it in starting from one side.
25. Fig B. Place head and sill sash limit against head and then sill pound into interior channels.
26. Screen retainer and sash limit should be placed on both right and left side of frame.



WEEP FLAP

27. Install HDW-3691 weep flap
 - A. Hook weep flap into weep slot
 - B. Snap the weep flap into the weep slot at the corners of the sill exterior.



28. Run a bead of silicone around the edges of the weep flap.

NOTE: Silicone must be applied AFTER weep has been inserted into the weep slot. Silicone must NOT obscure weep slot.



CLEAN WINDOW

29. Spray the glass and frame with cleaning solution from top to bottom.
30. Using a clean cloth or squeegee, wipe the glass down from top to bottom.
31. Verify there are no streaks, dirt, or solution remaining on the glass.

12 GENERAL MAINTENANCE

Routinely check the weather stripping and seals of the window. If there are any tears or gaps in the weather stripping and seals, please contact St. Cloud Window. Do not attempt to remove any scratches from window/glass before contacting the manufacturer for technical advice.

HARDWARE: Hardware to be tightened, and lubricated with a grease-based lubricant every two years.

WARNING: The glass in these windows may be extremely heavy and may have sharp edges. Please use caution when lifting or handling sash to avoid strain or injury. Always keep children and pets away from work area.

WARNING

Inspect window before installing. If any damage has occurred, contact St. Cloud Window.



st. cloud window

390 Industrial Blvd.
 Sauk Rapids, MN 56379
 (320) 251-9311 (800) 383-9311