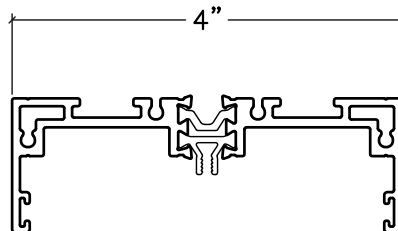
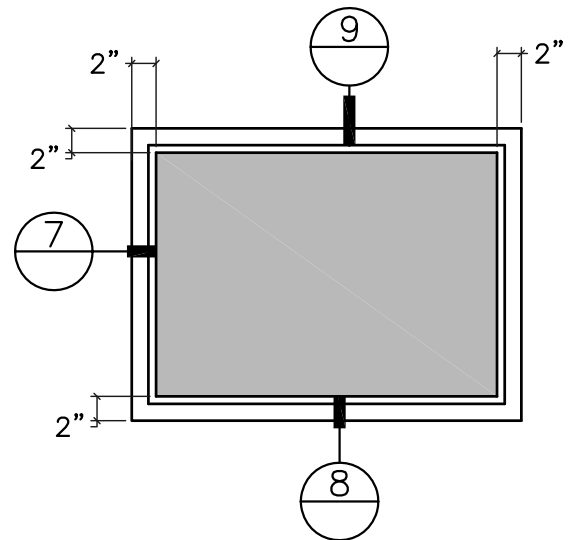
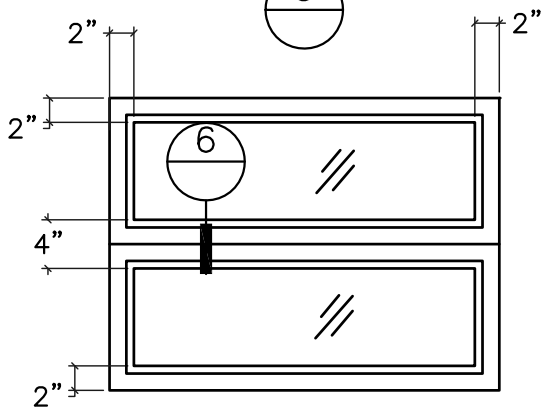
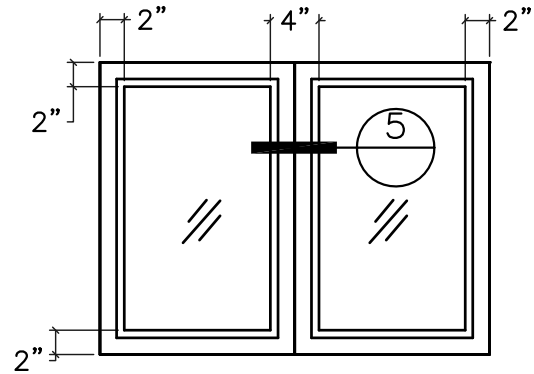
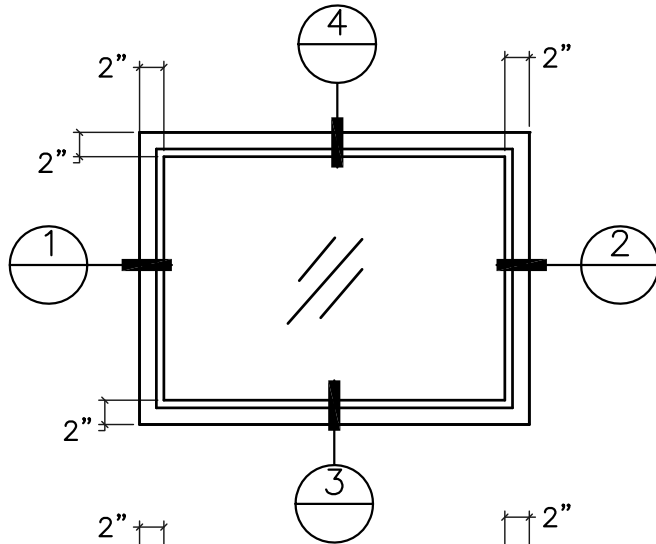
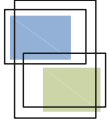
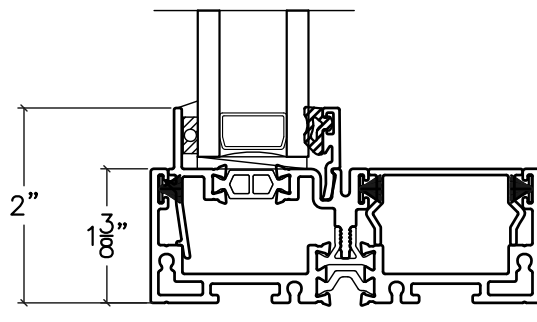
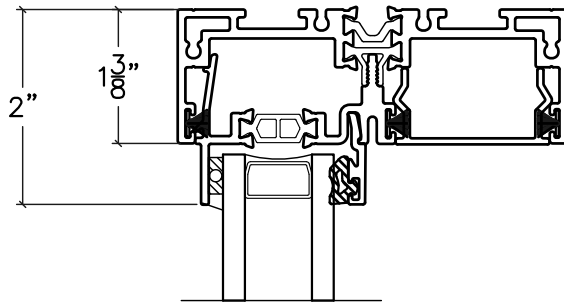
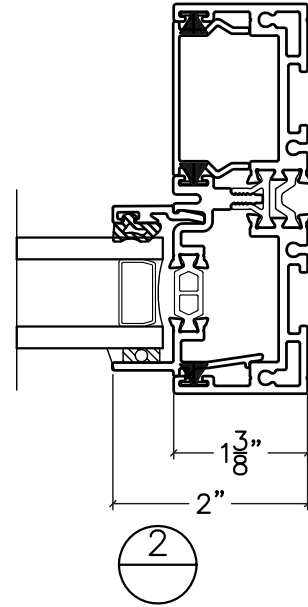
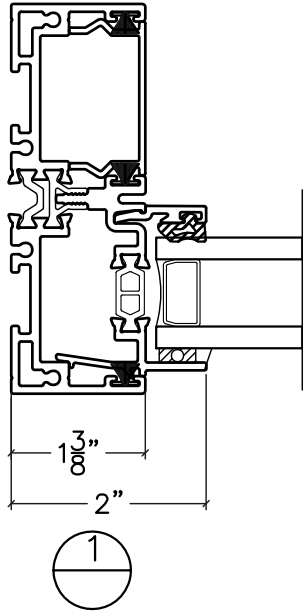


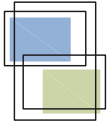
4060 SERIES FIXED



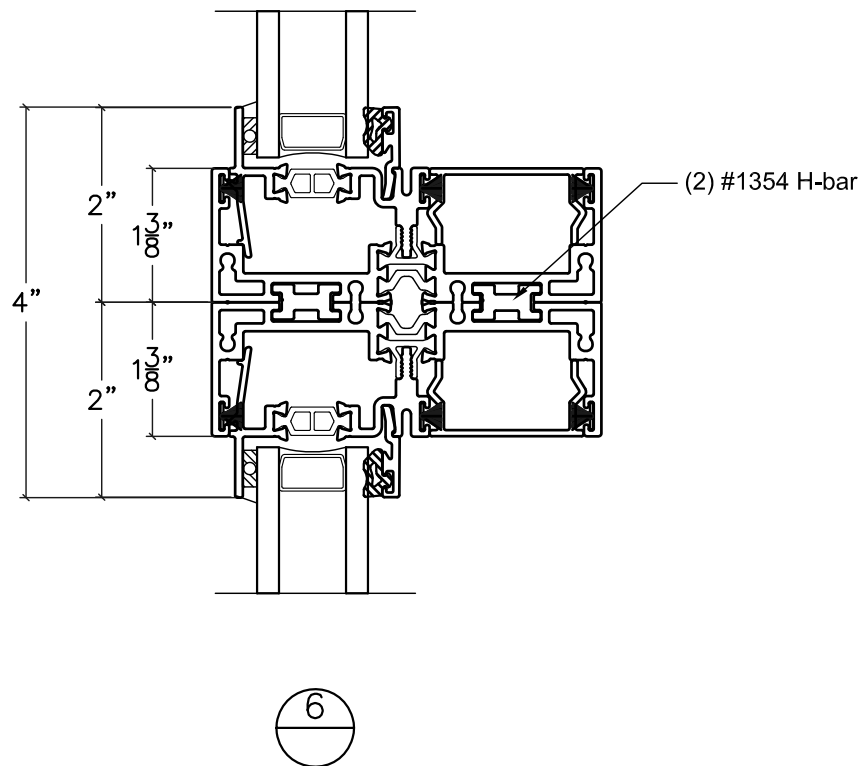
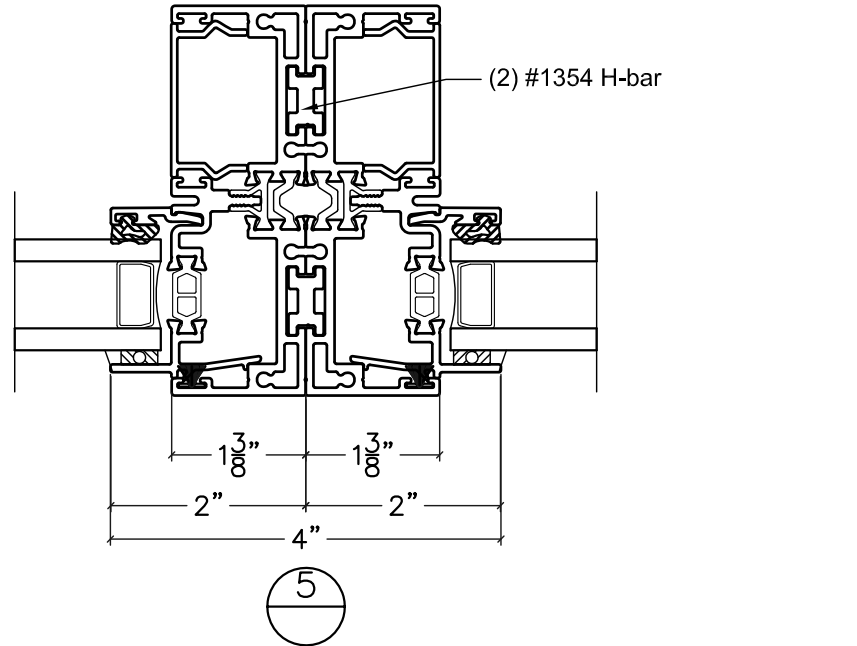


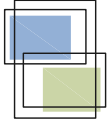
**4060 SERIES
FIXED**



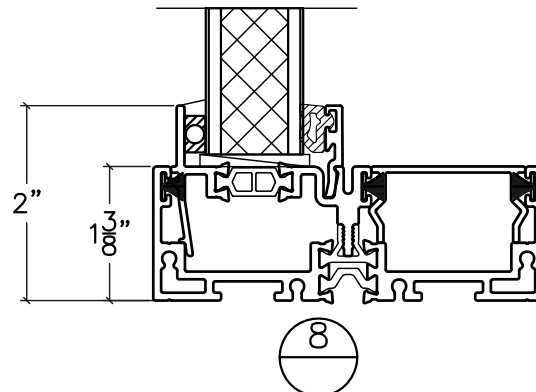
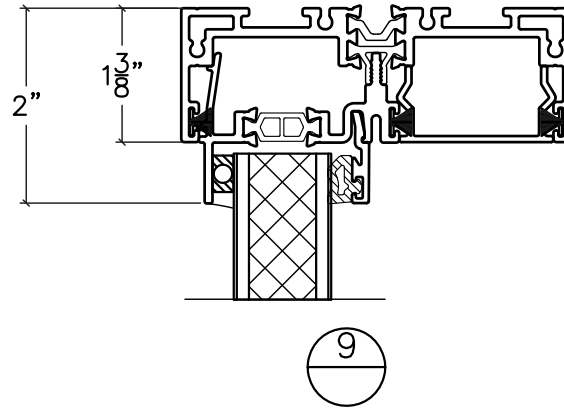
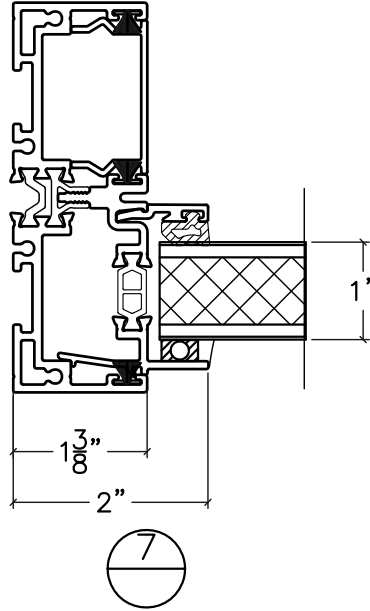


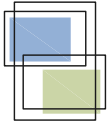
**4060 SERIES
FIXED**



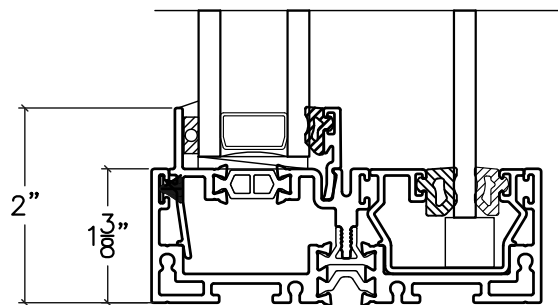
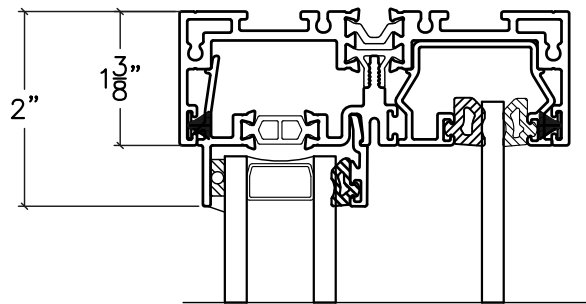
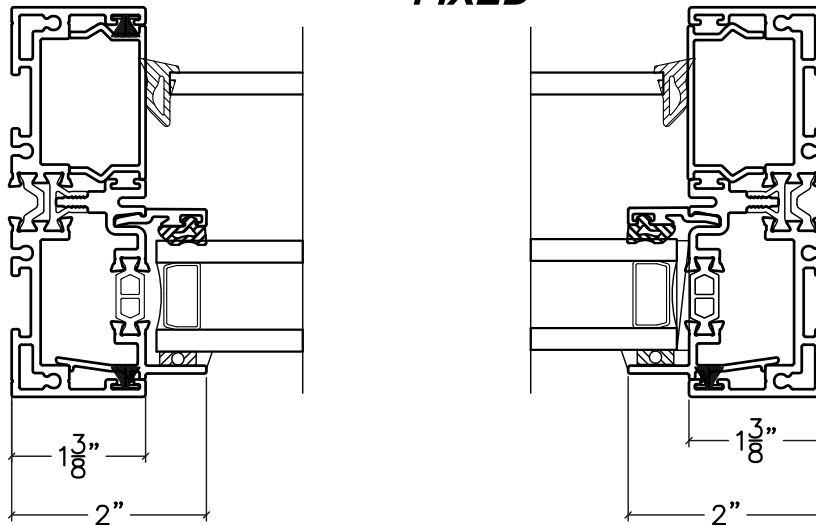


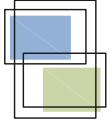
**4060 SERIES
FIXED**



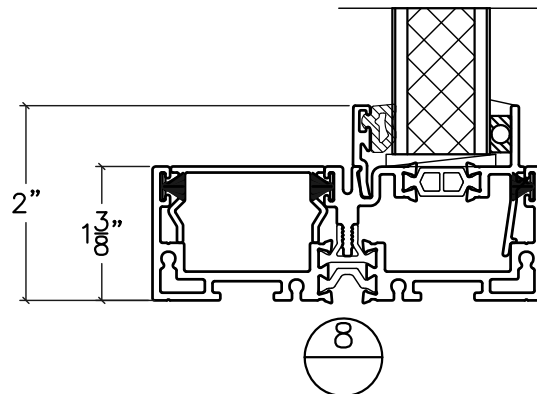
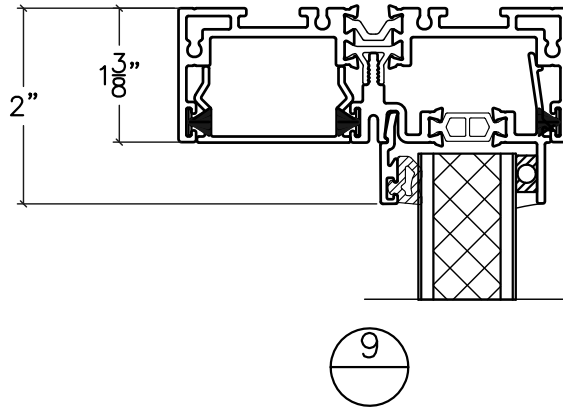
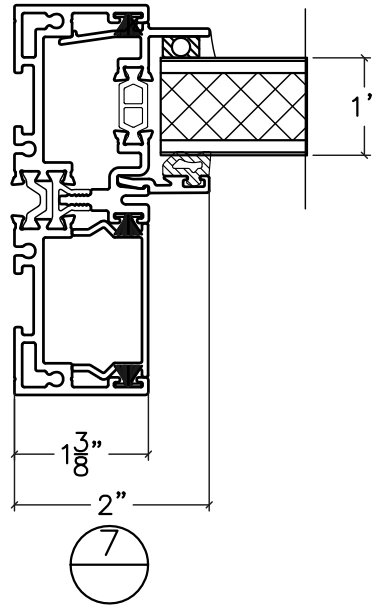


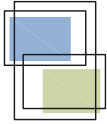
**4060 SERIES
FIXED**



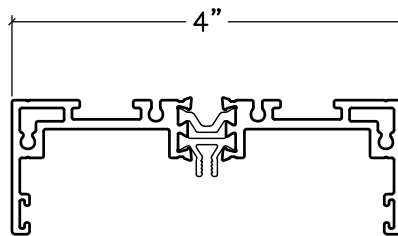
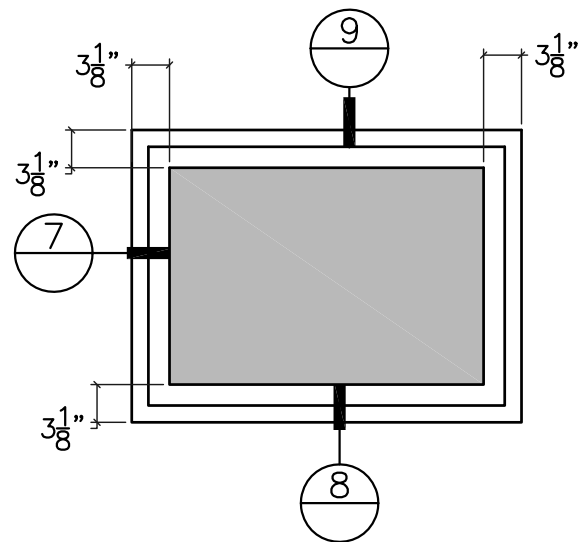
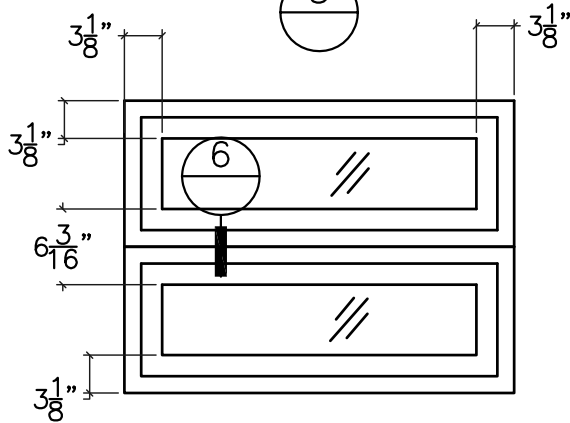
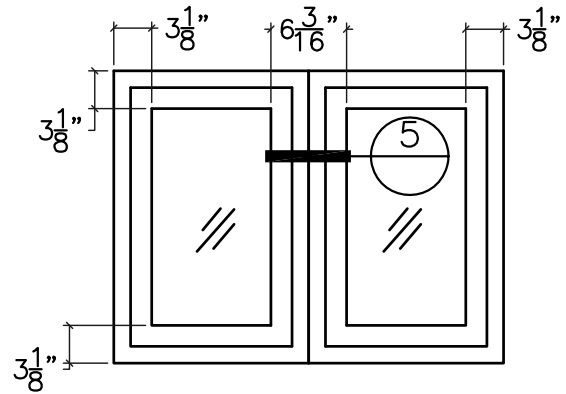
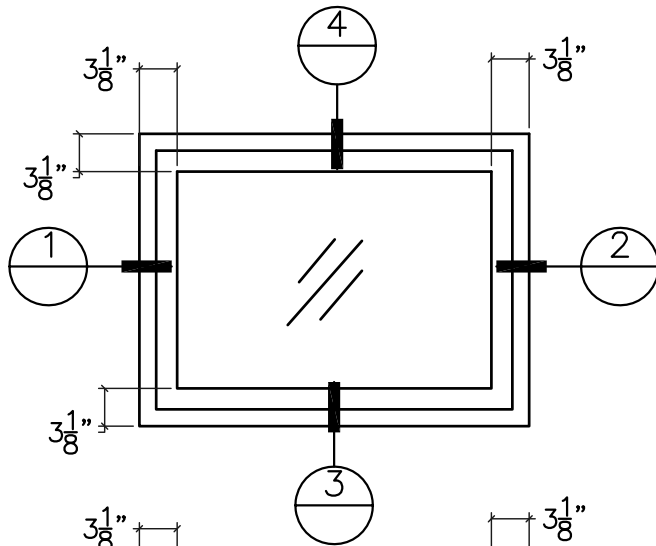


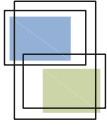
**4060 SERIES
FIXED - REVERSED GLAZED**



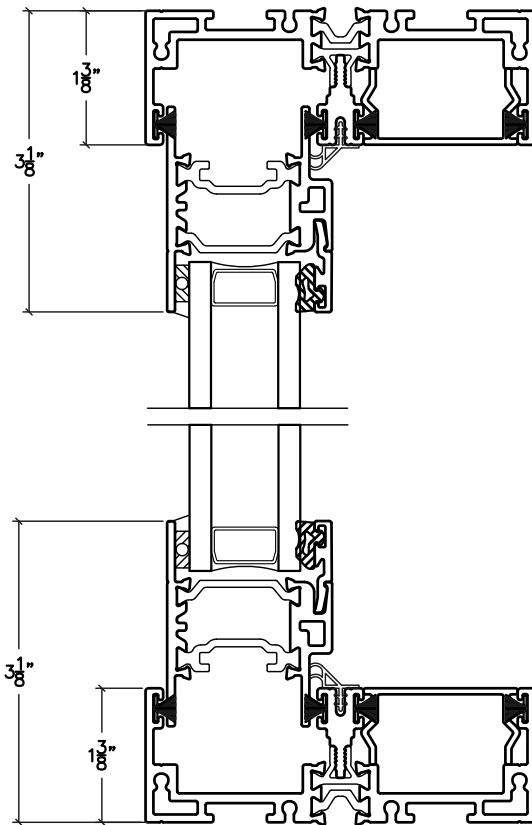
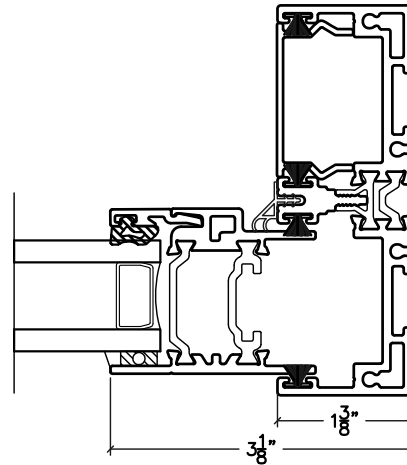
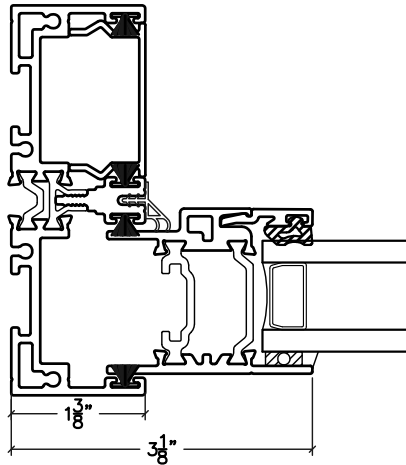


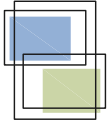
4060 SERIES FIXED



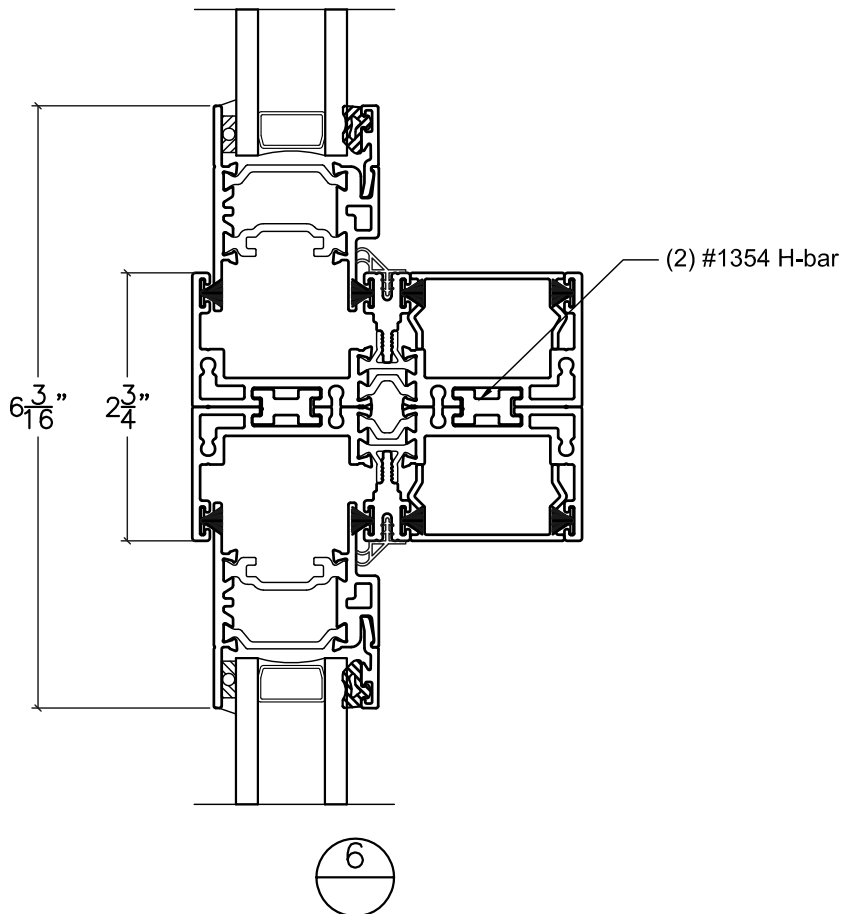
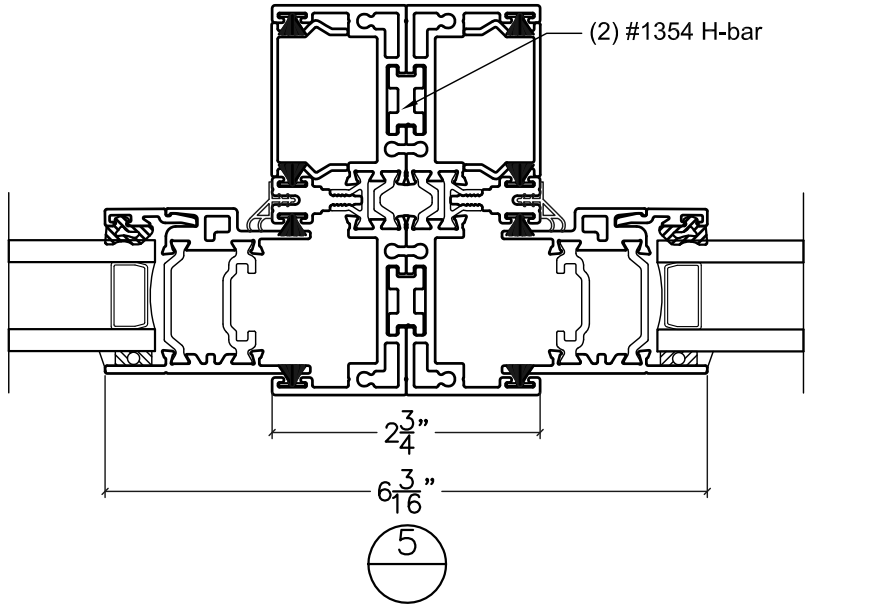


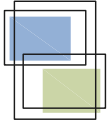
4060 SERIES FIXED



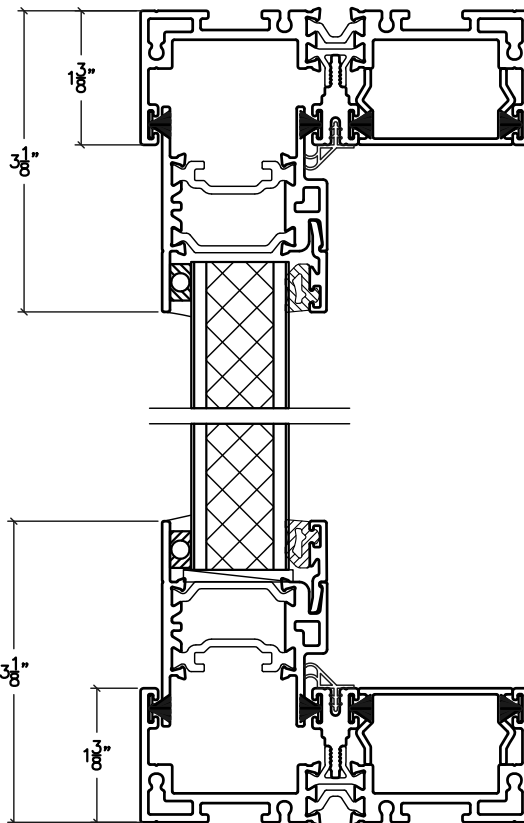
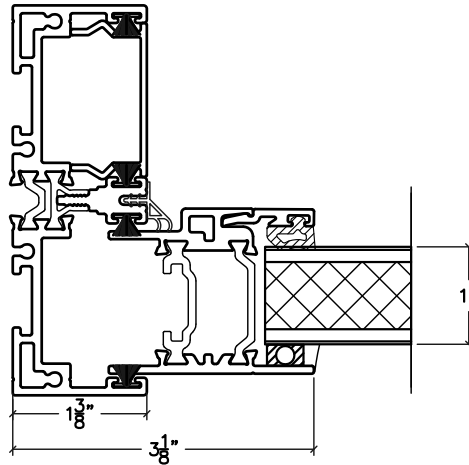


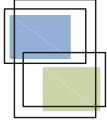
4060 SERIES FIXED



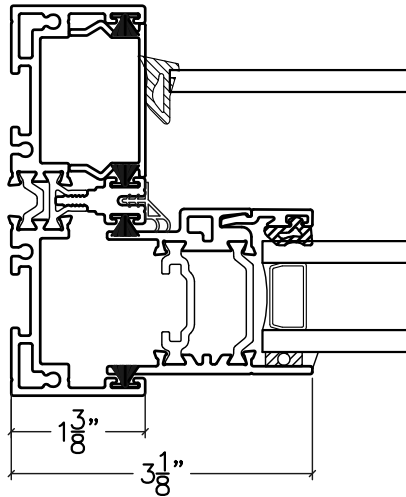


4060 SERIES FIXED

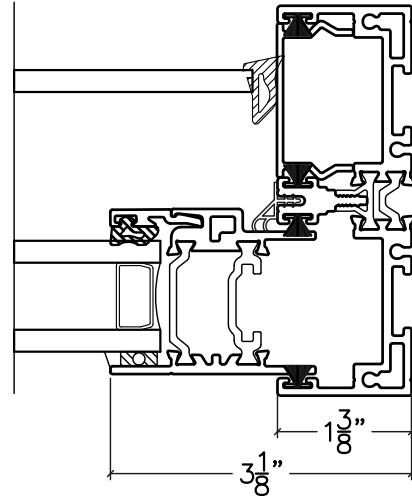




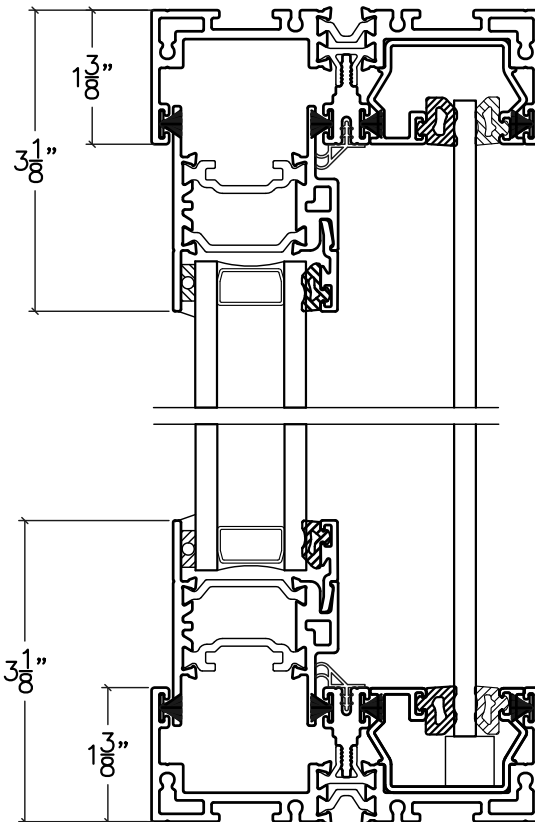
**4060 SERIES
FIXED**



1

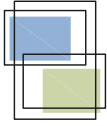


2

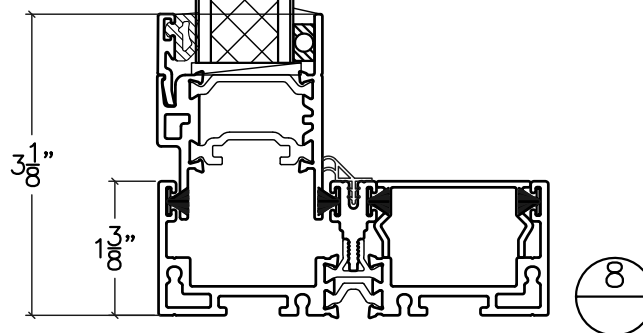
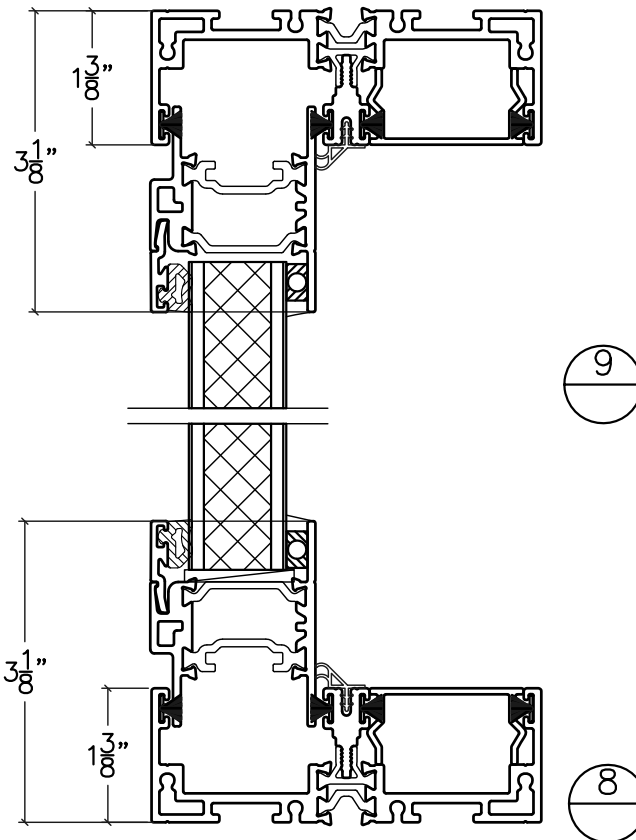
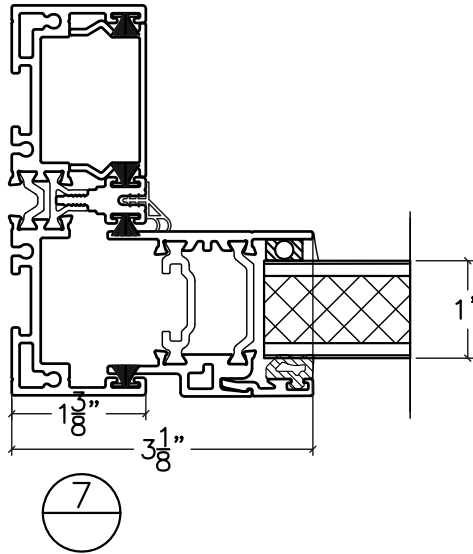


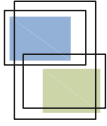
4

3

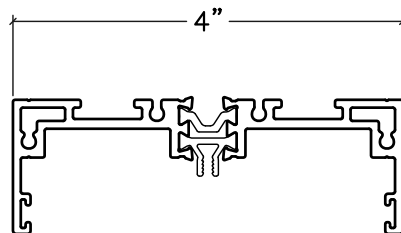
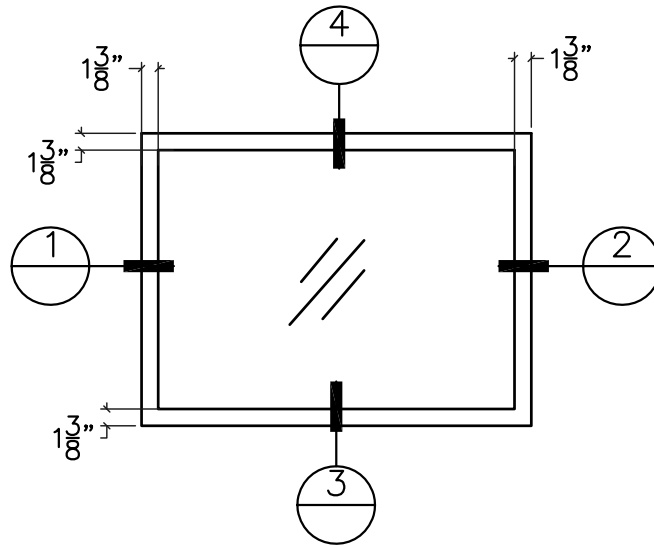


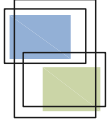
4060 SERIES FIXED



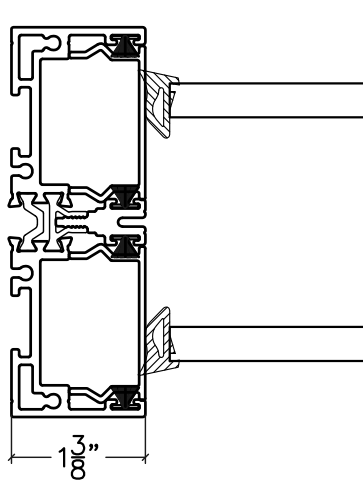


**4060 SERIES
FIXED DUAL MONOLITHIC**

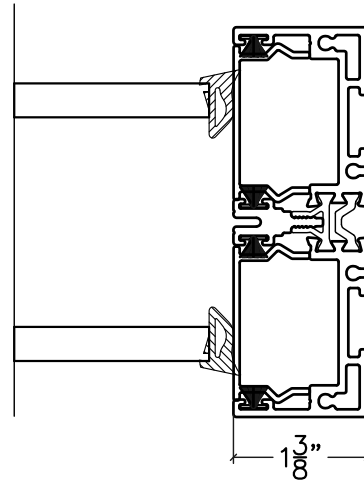




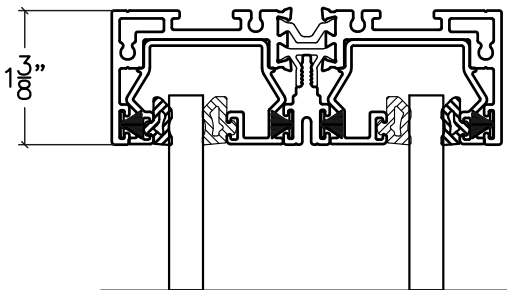
**4060 SERIES
FIXED DUAL MONOLITHIC**



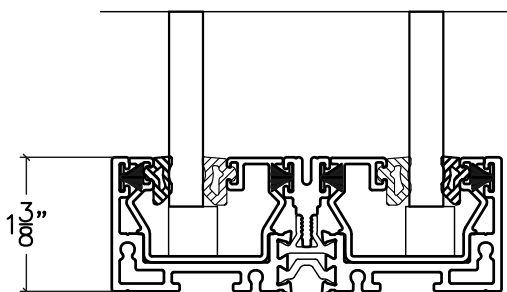
1



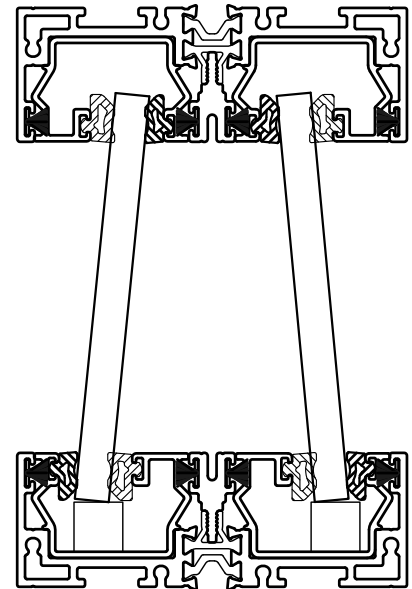
2



4



3



ANGLED GLASS OPTIONS AVAILABLE