

st. cloud window

SCW4000 Series



Product

- Frame depth 4"
- Nominal 0.08" wall thickness
- AW-PG70
- STC 28-51
- OITC 22-42
- U-Value 0.35-0.58

Configuration

- Vertical Sliding
- Horizontal Sliding
- Fixed

Applications

- All purpose
- Acoustic
- Impact



st. cloud window

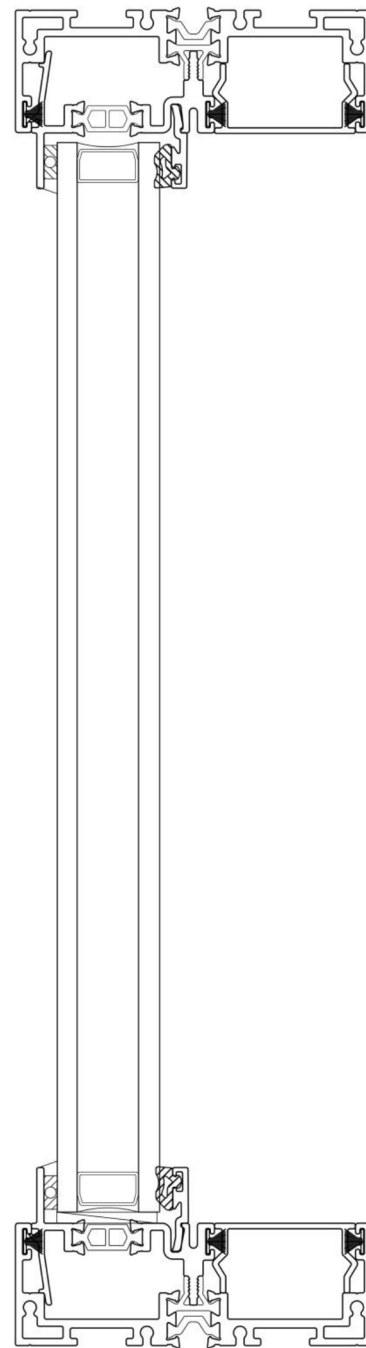
390 Industrial Blvd, Sauk Rapids, MN 56379
800.393.9311 | www.stcloudwindow.com

Features

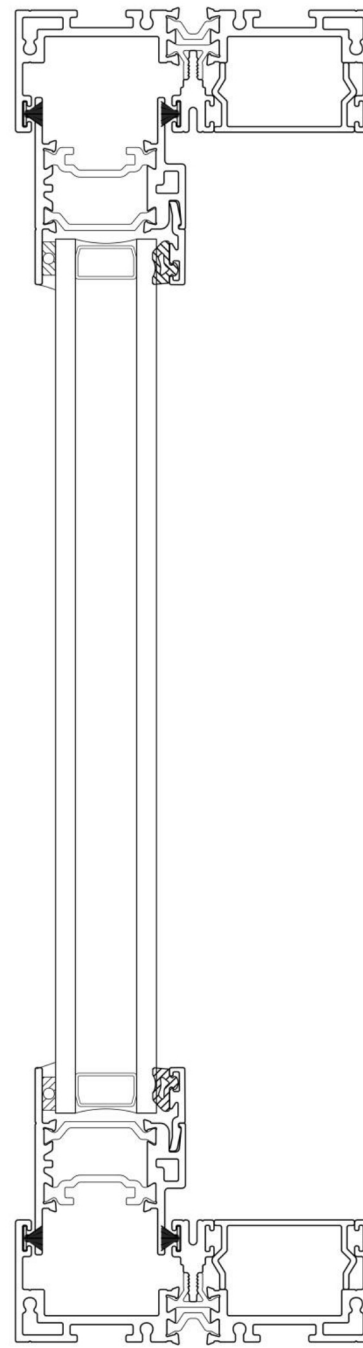
- Frame depth 4"
- Nominal 0.08" wall thickness
- 6063-T6 Aluminum alloy
- Thermal barrier: PA-66 Insulbar structural strut
- Weather stripping: Integral 5-fin 100% woven pile for minimal air infiltration
- Extruded aluminum corner keys provide joint strength and alignment
- Integral weep system for superior water penetration resistance
- Spring-loaded automatic lock for operable sash rail
- Sash rollers adjustable for easy operation and stainless steel axles to carry maximum sash weight
- High performance 70% Kynar (AAMA 2605) paint, Class I anodized finishes
- Vertical or horizontal mullion options to meet design specifications and for added strength
- Exterior profiles customized for specific historic requirement
- Class 5 balances for hung configurations allow for oversize sash weight
- Optional automatic retractable insect screen

Glazing

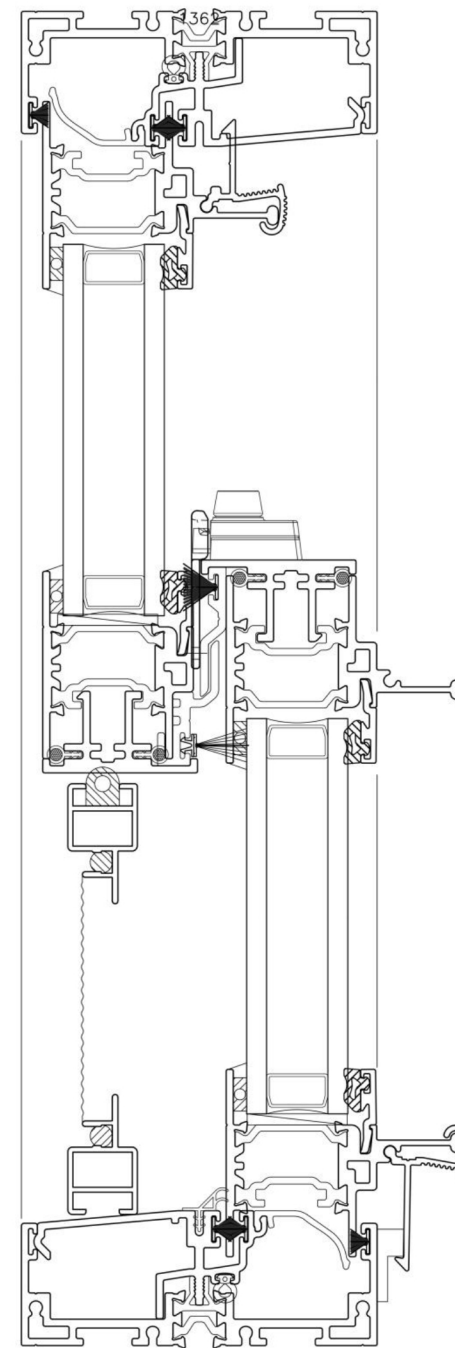
- 1"- 1 1/4" overall thick IG glass, factory glazed
- Glazing pocket adjust for 1/4", 3/8", or 1/2" acoustic glazing



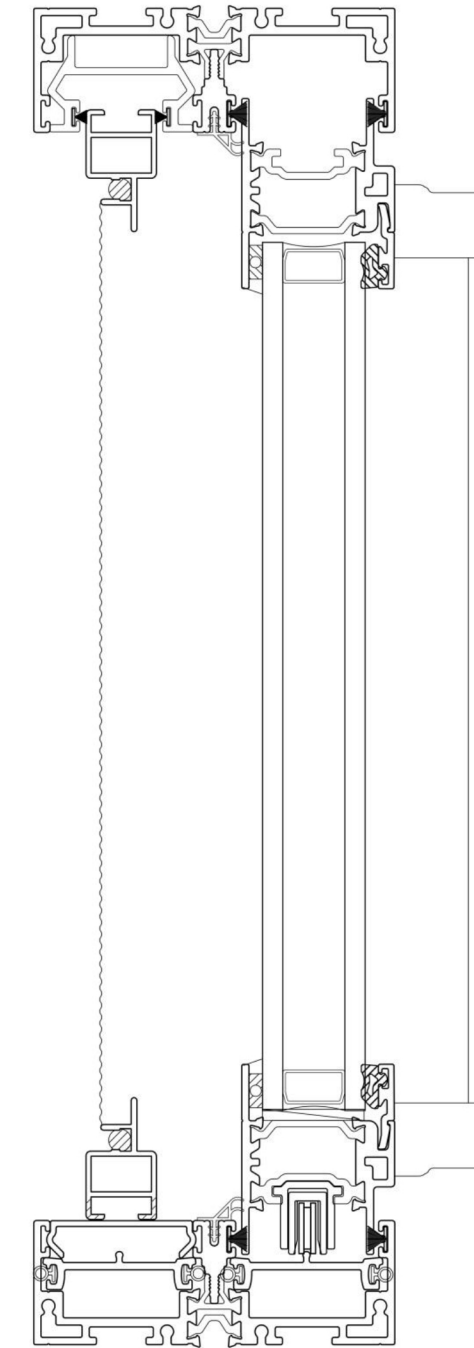
4060 Fixed



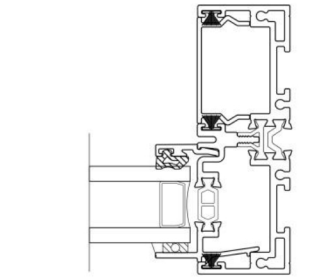
4060 Simulated Fixed



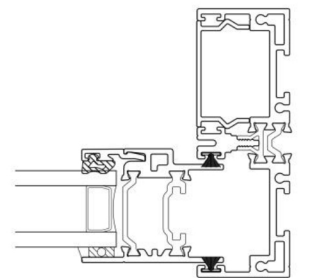
4020 Vertical Sliding



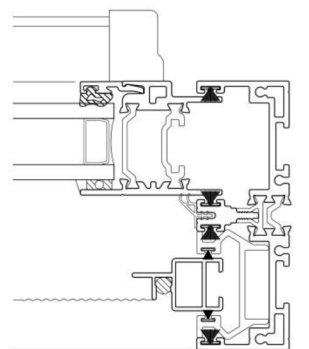
4040 Horizontal Sliding



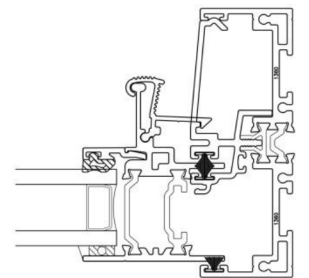
4060 Fixed



4060 Simulated Fixed



4020 Vertical Sliding



4040 Horizontal Sliding

Performance Data

SCW4000	Thermal		Acoustic		Air Infiltration at 6.24 lbf/ft ²	Water Penetration	Uniform Load Deflection	Condensation		Forced Entry Rating	AAMA Rating	Test Size
	U Value	SHGC	STC	OITC				CR	CRF			
Vertical Sliding	.35-.58	.12-.54	28-44	22-37	.019 cfm/ft ²	12.00 psf	70 psf	43-45	60	Grade 10	AW-PG 70	60" x 99"
Horizontal Sliding	.35-.58	.12-.54	34-44	26-35	.04 cfm/ft ²	10.00 psf	70 psf	42-44	60	Grade 10	AW-PG 50	99" x 60"
Simulated Fixed	.24-.56	.12-.54	32-51	26-42	.01 cfm/ft ²	12.00 psf	70 psf	42-47	65	Grade 10	AW-PG 70	60" x 99"

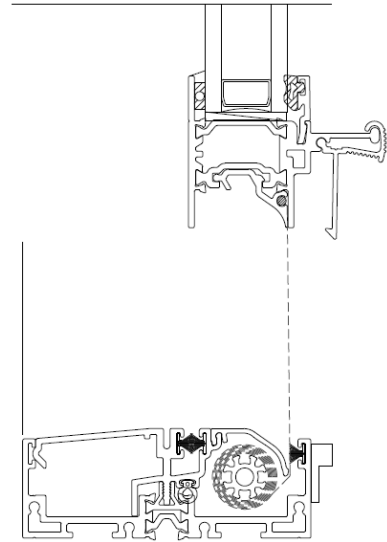
SCW4000 Series

Optional Features

- **Profiles:** Exterior panning in custom shapes, interior trims, and mullions
- **Glazing:** High performance, double, and triple insulated glass as well as tints, low-e, tempered, and laminated
- **Finish:** Anodized or high performance paint finishes, unlimited colors, dual/split colors and finishes
- **Accessories:** Simulated divided lite muntin grids, installation speed clip, rail fins, acoustic seals
- **Screens:** Standard, retractable, and exterior screen option
- **Hardware:** Pinch and sweep lock options in several finishes



Optional automatic retractable insect screen



4020 Vertical Sliding

Additional option details available at: www.stcloudwindow.com/products



st. cloud window

390 Industrial Blvd, Sauk Rapids, MN 56379
800.393.9311 | www.stcloudwindow.com