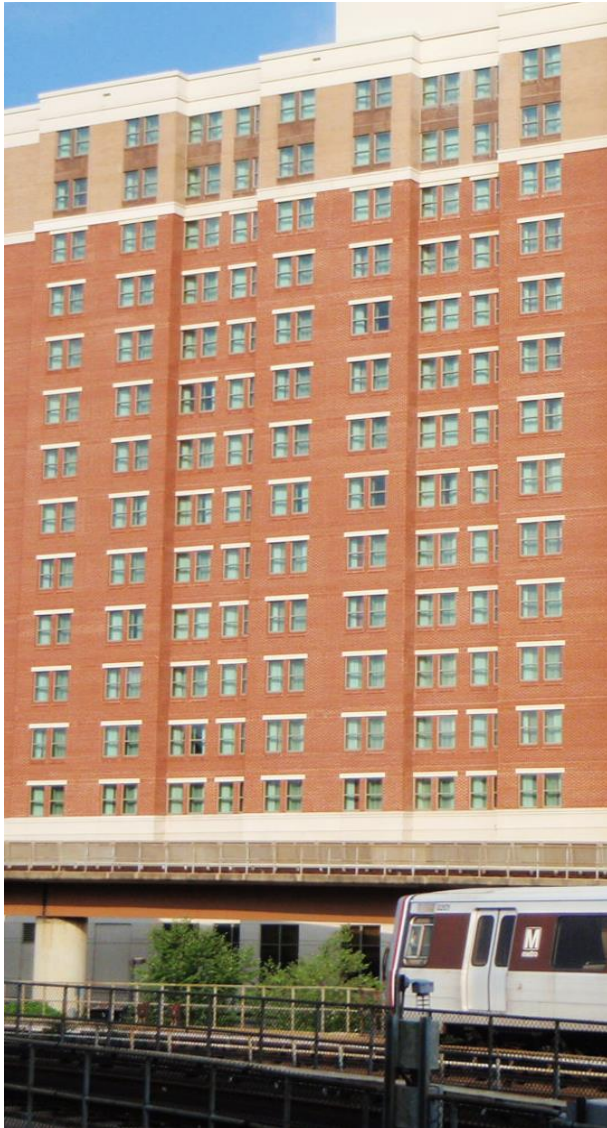




st. cloud window

# SCW900 Series



## Product

- Frame depth 5"
- Nominal 0.062" wall thickness
- AW-PG100
- STC 39-55+
- OITC 26-49
- U-Value 0.31-0.52

## Configuration

- Vertical Sliding
- Horizontal Sliding
- Fixed

## Applications

- All purpose
- Acoustic
- Impact



st. cloud window

390 Industrial Blvd, Sauk Rapids, MN 56379  
800.393.9311 | [www.stcloudwindow.com](http://www.stcloudwindow.com)

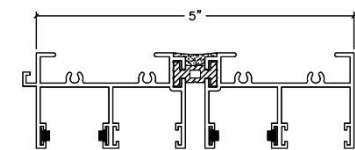
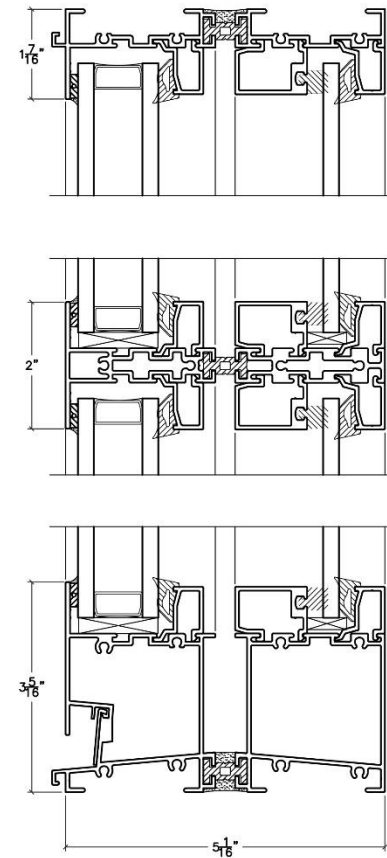
## Features

- Frame depth 5"
- Nominal 0.062" wall thickness
- 6063-T6 Aluminum alloy
- Thermal barrier: slide in PVC
- Weather stripping: Integral 5-fin 100% woven pile for minimal air infiltration
- Integral weep system for superior water penetration resistance
- Spring-loaded automatic lock for operable sash rail
- High performance 70% Kynar (AAMA 2605) paint, Class I anodized finishes
- Vertical or horizontal mullion options to meet design specifications and for added strength

## Glazing

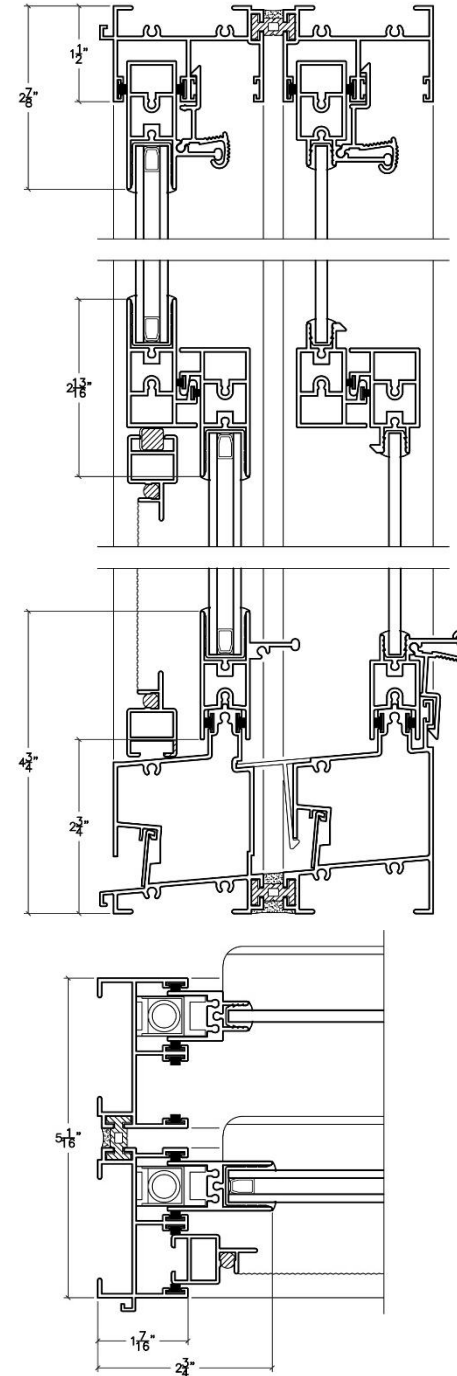
- 0.25"- 1.25" overall thick IG glass, factory glazed
- Factory glazed with EPDM custom Dartwedge™
- Glazing pocket adjust for 1/4", 3/8", or 1/2" glazing options

960 FIXED

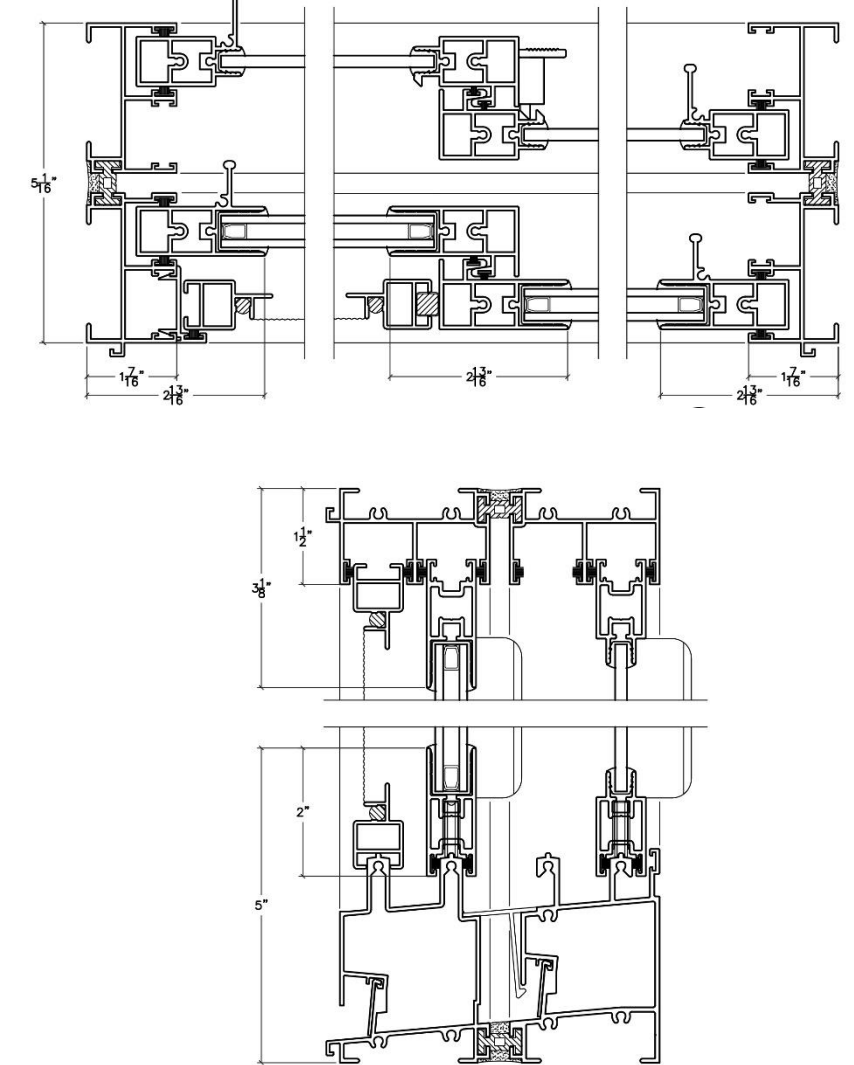


900 SERIES FRAME

920 VERTICAL SLIDING



940 HORIZONTAL SLIDING



## Performance Data

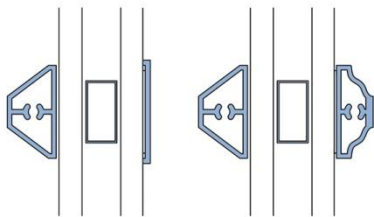
SCW900	Thermal		Acoustic		Air Infiltration at 6.24 lbf/ft <sup>2</sup>	Water Penetration	Structural Load Pressure	Condensation CR	Forced Entry Rating	FGIA Rating	Test Size
	U Value	SHGC	STC	OITC							
920 Vertical Sliding	.31-.34	.18	39-55+	27-42	.09 cfm/ft <sup>2</sup>	9 psf	± 60 psf	38-45	Grade 10	LC-PG60	56" x 91"
940 Horizontal Sliding	.32	.16	39-55+	27-49	.06 cfm/ft <sup>2</sup>	9 psf	± 60 psf	38-46	Grade 10	LC-PG60	71" x 60"
960 Fixed	.33	.20	44-55+	35-48	.01 cfm/ft <sup>2</sup>	15 psf	± 100 psf	44-48	Grade 10	AW-PG70	60" x 99"

# SCW900 Series

## Optional Features

- **Profiles:** Exterior panning in custom shapes, interior trims, and mullions
- **Glazing:** High performance, double, and triple insulated glass as well as tints, low-e, tempered, and laminated options
- **Finish:** Anodized or high-performance paint finishes, unlimited colors, dual/split colors and finishes
- **Accessories:** Simulated divided lite muntin grids, removable interior sash, and removable screens
- **Hardware:** Lock and operator options

Additional option details available at: [www.stcloudwindow.com/products](http://www.stcloudwindow.com/products)



Typical Muntin Bars



st. cloud window

390 Industrial Blvd, Sauk Rapids, MN 56379  
800.393.9311 [www.stcloudwindow.com](http://www.stcloudwindow.com)